

Fibox QUICK

QUICK wall mounting cabinets are manufactured from high impact resistance polycarbonate or ABS withstanding harsh industrial and outdoor environments. These cabinets are equipped with quick screw covers. Transparent cover options allow easy viewing of installed equipment and indicators.



QUICK



Quick locking cover screws



Adjustable depth for front panel



RoHS compliant and halogen-free

QUICK PC/ABS 32

300 x 200

PC: IP 66/IP 67, IK 08
ABS: IP 66/IP 67, IK 08

Including: Base with screws for mounting plate/DIN-rail, internal corner plugs, cover with PUR gasket and CS 12137 cover screws.

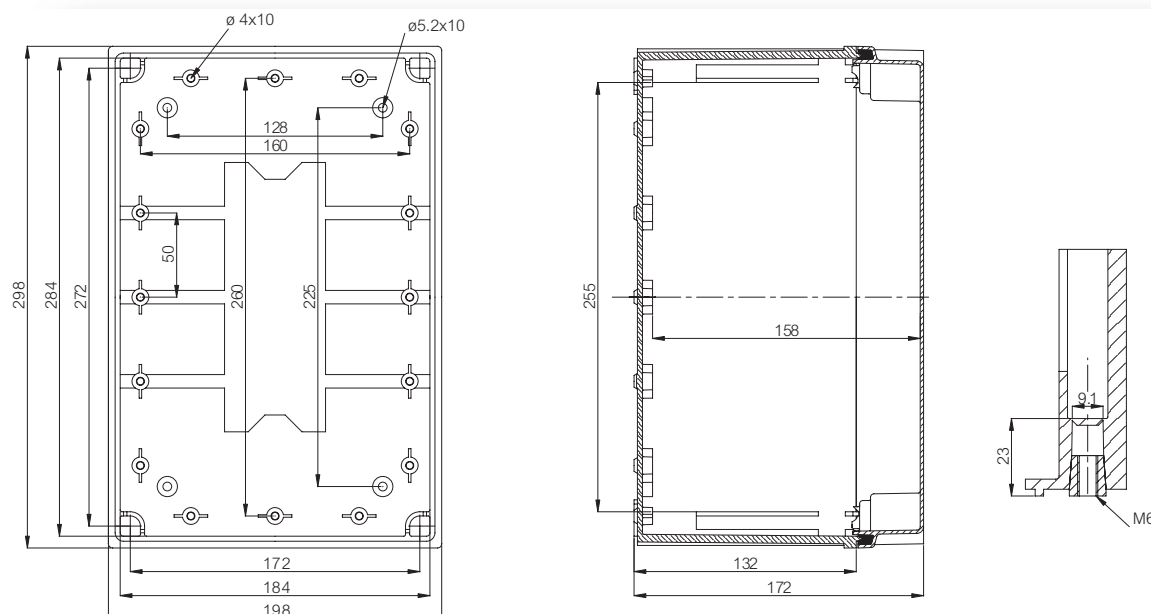


Enclosures

Order symbol	Code	Dimensions	Description
CAB PCQ 302017 G	8113338	300 x 200 x 170	Cabinet, PC • Grey cover
CAB PCQ 302017 T	8113038	300 x 200 x 170	Cabinet, PC • Smoked transparent cover
CAB ABSQ 302017 G	8183338	300 x 200 x 170	Cabinet, ABS • Grey cover
CAB ABSQ 302017 T	8183038	300 x 200 x 170	Cabinet, ABS • Smoked transparent cover

Accessories

Order symbol	Code	Dimensions	Description
EKIV 23	4712117	170 x 270	Mounting plate
EKIV 17	4712126	35 x 166	DIN-35 Mounting rail
EKIV 27	4712127	35 x 266	DIN-35 Mounting rail
FP A 23	8392226	166 x 268	Swing-out door/Front plate (aluminium)
MB 12225 AL	8390007		Swing door set • for aluminium front plates
FP 12-23	8392218	178 x 278	Front plate • 12 modules
DRF 23	4712200		DIN rail frame set • incl. a pair of metal profile bar, mounting screws and front plate holders
DRF 33	4712205		DIN rail frame set • incl. a pair of metal profile bar, mounting screws and front plate holders
PAT 12040	4512040		Hinge set • incl. screws





QUICK PC/ABS 33

300 x 300

PC: IP 66/IP 67, IK 08
ABS: IP 66/IP 67, IK 08

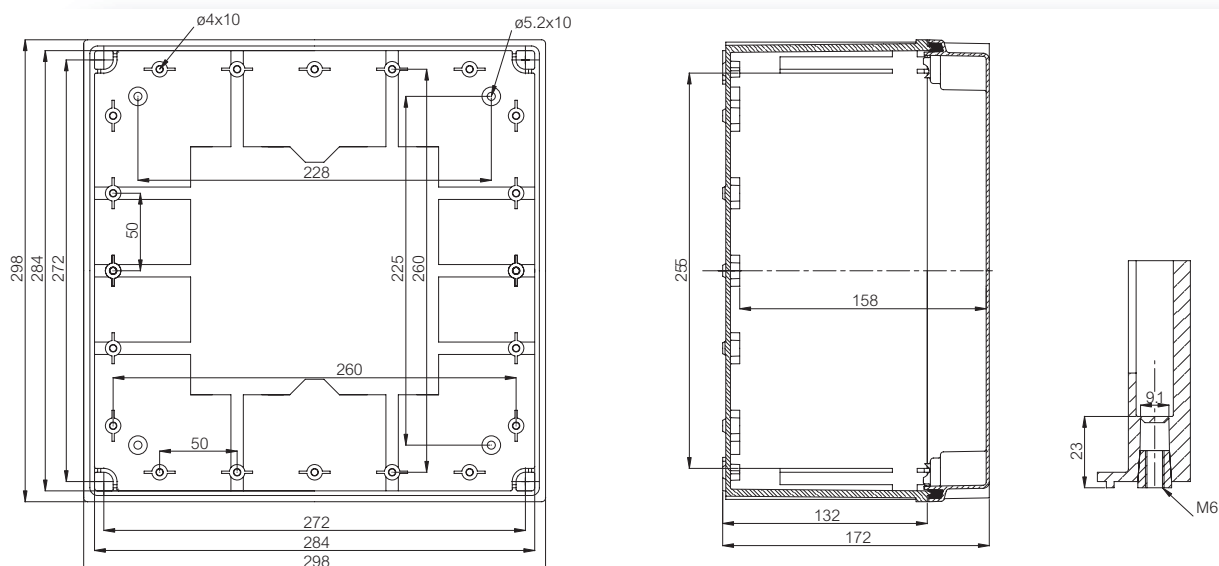
Including: Base with screws for mounting plate/DIN-rail, internal corner plugs, cover with PUR gasket and CS 12137 cover screws.

Enclosures

Order symbol	Code	Dimensions	Description
CAB PCQ 303017 G	8113348	300 x 300 x 170	Cabinet, PC ▪ Grey cover
CAB PCQ 303017 T	8113048	300 x 300 x 170	Cabinet, PC ▪ Smoked transparent cover
CAB ABSQ 303017 G	8183348	300 x 300 x 170	Cabinet, ABS ▪ Grey cover
CAB ABSQ 303017 T	8183048	300 x 300 x 170	Cabinet, ABS ▪ Smoked transparent cover

Accessories

Order symbol	Code	Dimensions	Description
EKIV 33	4712118	270 x 270	Mounting plate
EKIV 27	4712127	35 x 266	DIN-35 Mounting rail
FP A 33	8392227	266 x 268	Swing-out door/Front plate (aluminium)
MB 12225 AL	8390007		Swing door set ▪ for aluminium front plates
FP 12-33	8392219	278 x 278	Front plate ▪ 12 modules
FP 12x2-33	8392220	278 x 278	Front plate ▪ 2x12 modules
DRF 33	4712205		DIN rail frame set ▪ incl. a pair of metal profile bar, mounting screws and front plate holders
PAT 12040	4512040		Hinge set ▪ incl. screws



QUICK PC/ABS 43

400 x 300

PC: IP 66/IP 67, IK 08
ABS: IP 66/IP 67, IK 08



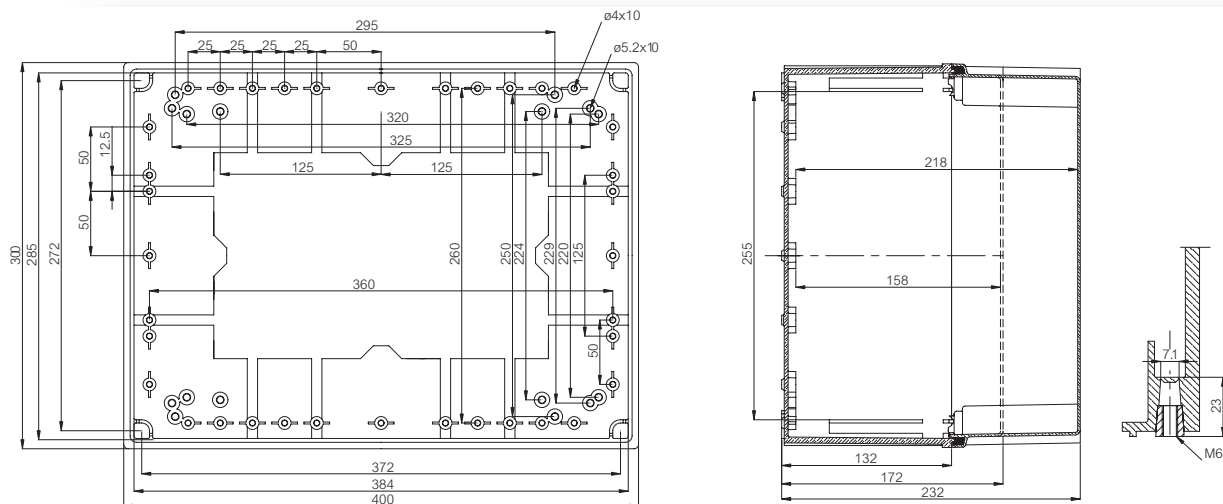
Including: Base with screws for mounting plate/DIN-rail, internal corner plugs, cover with PUR gasket and CS 12137 cover screws.

Enclosures

Order symbol	Code	Dimensions	Description
CAB PCQ 403017 G	8113358	400 x 300 x 170	Cabinet, PC • Grey cover
CAB PCQ 403023 G	8113458	400 x 300 x 230	Cabinet, PC • Grey cover
CAB PCQ 403017 T	8113058	400 x 300 x 170	Cabinet, PC • Smoked transparent cover
CAB PCQ 403023 T	8113158	400 x 300 x 230	Cabinet, PC • Smoked transparent cover
CAB ABSQ 403017 G	8183358	400 x 300 x 170	Cabinet, ABS • Grey cover
CAB ABSQ 403023 G	8183858	400 x 300 x 230	Cabinet, ABS • Grey cover
CAB ABSQ 403017 T	8183058	400 x 300 x 170	Cabinet, ABS • Smoked transparent cover
CAB ABSQ 403023 T	8183158	400 x 300 x 230	Cabinet, ABS • Smoked transparent cover

Accessories

Order symbol	Code	Dimensions	Description
EKIV 43	4712119	370 x 270	Mounting plate
EKIV 27	4712127	35 x 266	DIN-35 Mounting rail
EKIV 37	4712128	35 x 366	DIN-35 Mounting rail
FP A 43	8392224	266 x 368	Swing-out door/Front plate (aluminium)
MB 12225 AL	8390007		Swing door set • for aluminium front plates
FP 12x2-43	8392222	378 x 278	Front plate • 2x12 modules
FP 12x3-43	8392221	378 x 278	Front plate • 3x12 modules
DRF 43/44	4712201		DIN rail frame set • incl. a pair of metal profile bar, mounting screws and front plate holders
PAT 12040	4512040		Hinge set • incl. screws





QUICK PC/ABS 44

400 x 400

PC: IP 66/IP 67, IK 08
ABS: IP 66/IP 67, IK 08

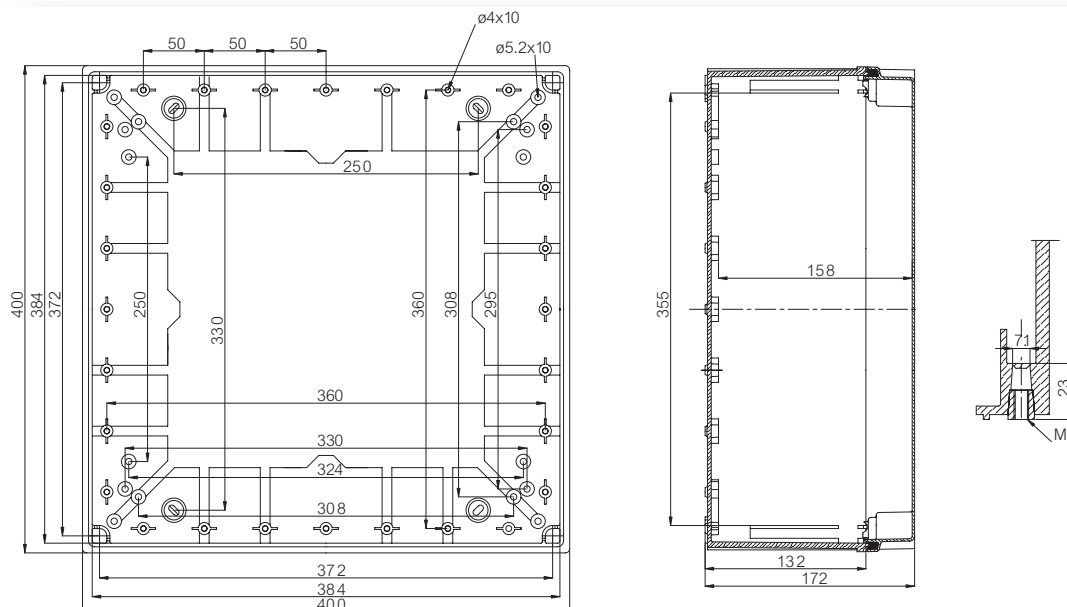
Including: Base with screws for mounting plate/DIN-rail, internal corner plugs, cover with PUR gasket and CS 12137 cover screws.

Enclosures

Order symbol	Code	Dimensions	Description
CAB PCQ 404017 G	8113488	400 x 400 x 170	Cabinet, PC ▪ Grey cover
CAB PCQ 404017 T	8113088	400 x 400 x 170	Cabinet, PC ▪ Smoked transparent cover
CAB ABSQ 404017 G	8183888	400 x 400 x 170	Cabinet, ABS ▪ Grey cover
CAB ABSQ 404017 T	8183188	400 x 400 x 170	Cabinet, ABS ▪ Smoked transparent cover

Accessories

Order symbol	Code	Dimensions	Description
EKIV 44	4712289	370 x 370	Mounting plate
EKIV 37	4712128	35 x 366	DIN-35 Mounting rail
FP A 44	8392272	368 x 368	Swing-out door/Front plate (aluminium)
MB 12225 AL	8390007		Swing door set ▪ for aluminium front plates
FP 18x2-44	8392286	378 x 378	Front plate ▪ 2x18 modules
EKI EXT 44	4512265	400 x 400 x 100	Extension frame
DRF 43/44	4712201		DIN rail frame set ▪ incl. a pair of metal profile bar, mounting screws and front plate holders
PAT 12040	4512040		Hinge set ▪ incl. screws





QUICK PC/ABS 64

600 x 400

PC: IP 66/IP 67, IK 08
ABS: IP 66/IP 67, IK 08

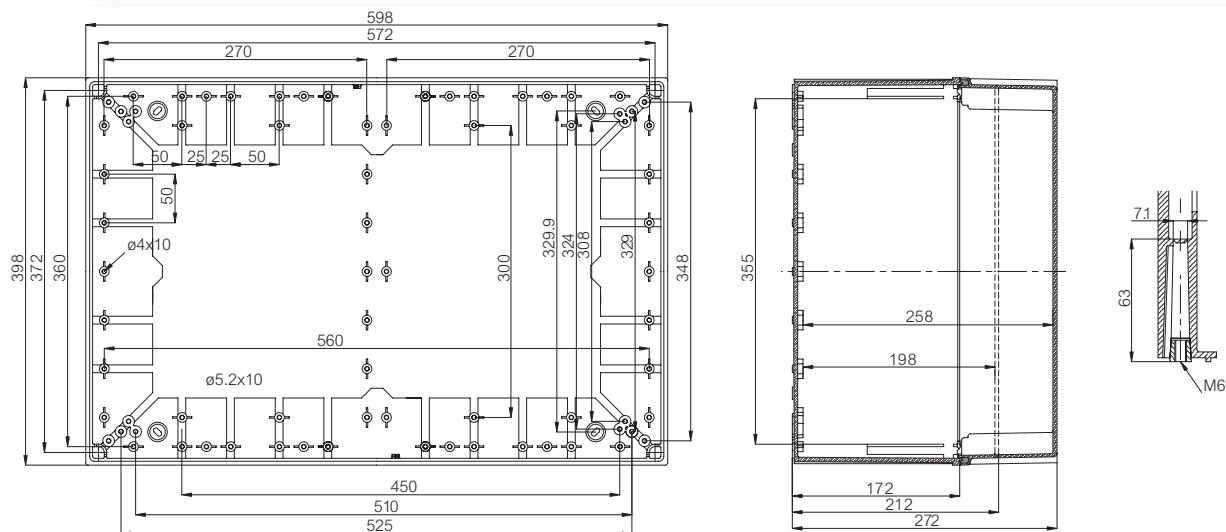
Including: Base with screws for mounting plate/DIN-rail, internal corner plugs, cover with PUR gasket and CS 12137 cover screws.

Enclosures

Order symbol	Code	Dimensions	Description
CAB PCQ 604021 G	8113378	600 x 400 x 210	Cabinet, PC ▪ Grey cover
CAB PCQ 604027 G	8113478	600 x 400 x 270	Cabinet, PC ▪ Grey cover
CAB PCQ 604021 T	8113078	600 x 400 x 210	Cabinet, PC ▪ Smoked transparent cover
CAB PCQ 604027 T	8113178	600 x 400 x 270	Cabinet, PC ▪ Smoked transparent cover
CAB ABSQ 604021 G	8183378	600 x 400 x 210	Cabinet, ABS ▪ Grey cover
CAB ABSQ 604027 G	8183878	600 x 400 x 270	Cabinet, ABS ▪ Grey cover
CAB ABSQ 604021 T	8183078	600 x 400 x 210	Cabinet, ABS ▪ Smoked transparent cover
CAB ABSQ 604027 T	8183178	600 x 400 x 270	Cabinet, ABS ▪ Smoked transparent cover

Accessories

Order symbol	Code	Dimensions	Description
EKIV 64H	4712300	570 x 370	Mounting plate
EKIV 37	4712128	35 x 366	DIN-35 Mounting rail
FP A 64	8392229	568 x 366	Swing-out door/Front plate (aluminium)
MB 12225 AL	8390007		Swing door set ▪ for aluminium front plates
FP 18x3-64	8392232	578 x 378	Front plate ▪ 3x18 modules
DRF 63/64	4712204		DIN rail frame set ▪ incl. a pair of metal profile bar, mounting screws and front plate holders
PAT 12040	4512040		Hinge set ▪ incl. screws



ACCESSORIES

Order symbol	Code	Description
--------------	------	-------------

Mounting plates (Galvanized steel, sheet thickness 1,5 mm)

EKIV 23	4712117	170 x 270
EKIV 33	4712118	270 x 270
EKIV 43	4712119	370 x 270
EKIV 44	4712289	370 x 370
EKIV 63	4712120	570 x 270 • Use with FA 12053
EKIV 64H	4712300	570 x 370



Spacers

FA 12053	4712053	M5 self-cutting
FA 12052	4712052	M5 self-cutting



DIN-35 Mounting rails (Galvanized steel, rail height 7,5 mm)

EKIV 17	4712126	35 x 166
EKIV 27	4712127	35 x 266
EKIV 37	4712128	35 x 366
EKIV 47	8392231	35 x 466



Front plates (Aluminium, sheet thickness 1,5 mm)

FP A 23	8392226	166 x 268
FP A 33	8392227	266 x 268
FP A 43	8392224	266 x 368
FP A 44	8392272	368 x 368
FP A 63	8392399	266 x 568
FP A 64	8392229	568 x 366



Swing door sets

MB 12225 AL	8390007	Swing door set • for aluminium front plates
MB 12225	8390001	Swing door set • for plastic front plates

Front plate with module openings

FP 12-23	8392218	178 x 278 • 12 modules
FP 12-33	8392219	278 x 278 • 12 modules
FP 12x2-33	8392220	278 x 278 • 2x12 modules
FP 12x2-43	8392222	378 x 278 • 2x12 modules
FP 12x2-43 FP	8392223	378 x 278 • use with FP 12190
FP 12x3-43	8392221	378 x 278 • 3x12 modules
FP 18x2-44	8392286	378 x 378 • 2x18 modules
FP 18x3-64	8392232	578 x 378 • 3x18 modules



DIN rail supports

FP 12190	4512190	DIN rail support
FP 12190SET	4712190	DIN rail support set

Hinges and wall mounting

PAT 12040	4512040	Hinge set • incl. screws
FP 12017	4712045	Wall fastening lug (4 pcs) • incl. screws
SP 12087	4712087	Corner plug, red



ACCESSORIES

Order symbol Code Description

DIN rail frame sets

DRF 23	4712200	DIN rail frame set ▪ incl. a pair of metal profile bar, mounting screws and front plate holders
DRF 33	4712205	DIN rail frame set ▪ incl. a pair of metal profile bar, mounting screws and front plate holders
DRF 43/44	4712201	DIN rail frame set ▪ incl. a pair of metal profile bar, mounting screws and front plate holders
DRF 54	4712203	DIN rail frame set ▪ incl. a pair of metal profile bar, mounting screws and front plate holders
DRF 63/64	4712204	DIN rail frame set ▪ incl. a pair of metal profile bar, mounting screws and front plate holders



Cover screw heads and mounting screws

CS 12137	4512137	Cover screw head, blue ▪ crossed head
SS 12136	4712136	Cover screw head, grey ▪ slotted head
HS 12112	4712112	Cover screw head, grey ▪ wing head
BS 12138	4712138	Cover screw head, grey ▪ blind head
QUICK SET	8390002	Set includes 4x CS 12137, 4x SP 12087 and 4 mounting screws
MSM PT 5x10	4712049	Mounting screw



QUICK technical information

Property	Polycarbonate (PC)	ABS
Ingress Protection (EN 60529)	IP 66/IP 67	IP 66/IP 67
Impact Resistance (EN 62262)	IK 08	IK 08
Temperature Range Celsius (short term)	-40° . . .120°C	-40° . . .80°C
Temperature Range Celsius (continuous)	-40° . . .80°C	-40° . . .60°C
Temperature Range Fahrenheit (short term)	-40° . . .250°F	-40° . . .175°F
Temperature Range Fahrenheit (continuous)	-40° . . .175°F	-40° . . .140°F
Electrical Insulation	Totally insulated ☐	Totally insulated ☐
Light Grey Parts Colour	RAL 7035 Industry Grey	RAL 7035 Industry Grey
Transparent Clear PC Cover	Smoked Grey	Smoked Grey
Cover Screw Heads	RAL 5023 Polyamide (PA)	RAL 5023 Polyamide (PA)
Gasket	PUR	PUR
Enclosure Flammability Rating	UL 94-5V	UL 94HB
Glow Wire Test (IEC 695-2-1) Self-extinguishing (PC)	960°C	650°C
Non-toxicity	Halogen Free	Halogen Free
UV resistance	UL 508 720 hours in "Weatherometer"	
Chemical Resistance *	Good	Good

Conformity to standards

USA Enclosures for Electrical Equipment
PC: NEMA 1, 3, 3S, 4, 4X, 12 or 13; UL 746C-5VA flame test (UL 50/508)
ABS: NEMA 1, 3, 3S, 4, 4X, 6, 6P, 12 or 13

Canada Industrial Control Equipment Enclosures for Electrical Equipment/ULc

Europe Empty enclosures for low-voltage switchgear and controlgear assemblies EN 62208:2003 (50298:1998)

Europe Safety of Information Technology Equipment EN 60950
RoHS directive 2002/95/EC

Russia GostR - Gost Russian certificate of conformity

Data subject to change without notice.

*Consult separate raw material data for more detailed information



FIBOX – Solutions for demanding environments

