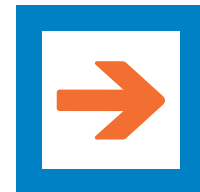


Fibox EK

EK range is ideal for solution for installation type of applications with either single or modular enclosure solutions. EK range is available with flange openings providing several options to use wide selection of accessories or connect enclosures to each other so as to form larger enclosure panel.



EK



Modular structure



Wide accessory selection



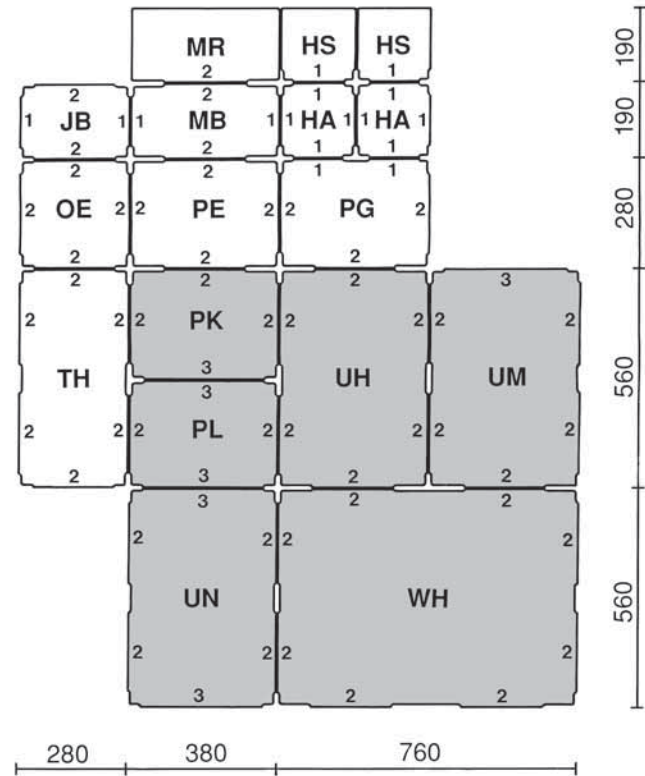
RoHS compliant and halogen-free

Fibox EK

Order symbol	Base dimensions mm
EKHA	190 x 190 x 100
EKHS	190 x 190 x 100
EKJB	280 x 190 x 100
EKMB	380 x 190 x 100
EKMR	380 x 190 x 100
EKOE	280 x 280 x 100
EKPE	380 x 280 x 100
EKPG	380 x 280 x 100
EKPK	380 x 280 x 150
EKPL	380 x 280 x 150
EKTH	560 x 280 x 100
EKUH	560 x 280 x 150
EKUM	560 x 280 x 150
EKUN	560 x 280 x 150
EKWH	760 x 560 x 150

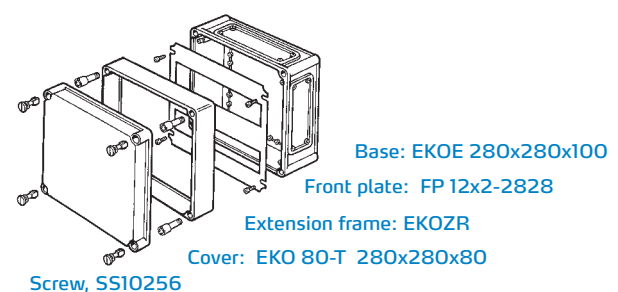
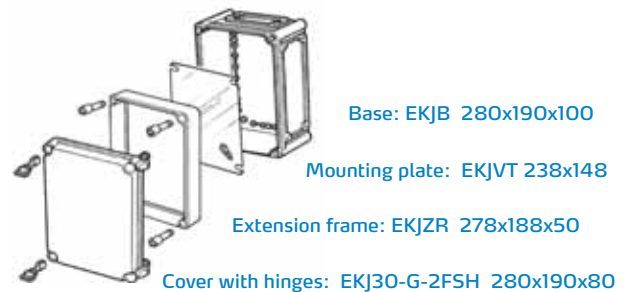


The bases marked with the grey colour have a depth of 150 mm and the others are 100 mm. The number on the bases indicates the size of the flange plate.



Example of the assembly of one enclosure

The size of the whole enclosure according to the letter:
The enclosure sized (280x190x230) can be assembled as follows:





EK
EKH

190 x 190 PC: IP 66/IP 67, IK 08/IK 09
FSH: IP 65, IK 08/IK 09

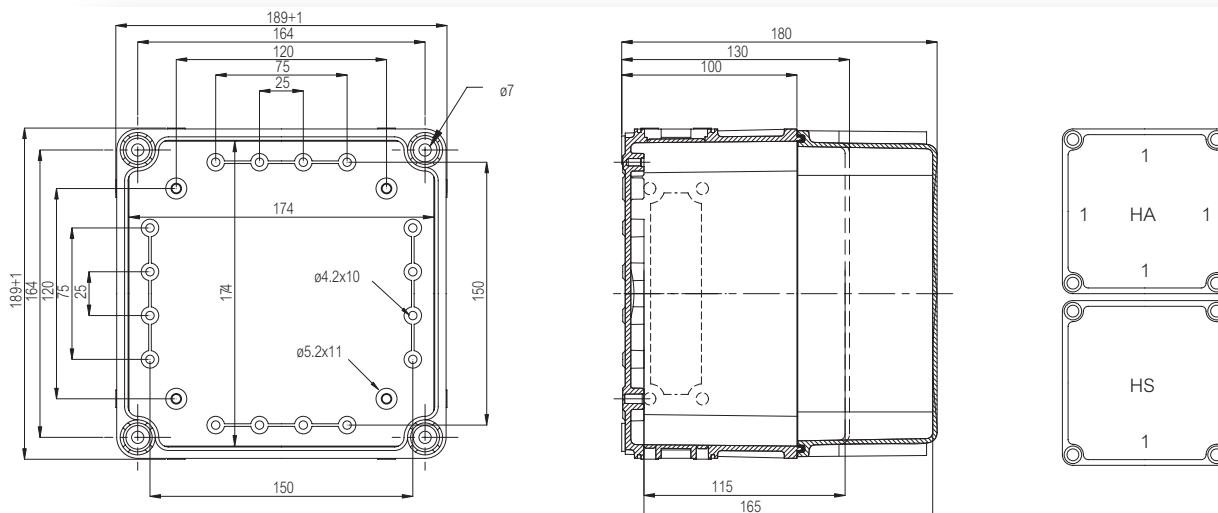
Including: Flanged Base with screws for mounting plate/DIN-rail, cover with PUR gasket and polyamide cover screws.

Enclosures

Order symbol	Code	Dimensions	Description
EKHA 130 G	2538001	190 x 190 x 130	Enclosure, PC • Grey cover
EKHA 180 G	2538004	190 x 190 x 180	Enclosure, PC • Grey cover
EKHA 130 G-2FSH	9996179	190 x 190 x 130	Enclosure, PC • Grey hinged cover
EKHA 180 G-2FSH	9996183	190 x 190 x 180	Enclosure, PC • Grey hinged cover
EKHA 130 T	2538101	190 x 190 x 130	Enclosure, PC • Transparent cover
EKHA 180 T	2538104	190 x 190 x 180	Enclosure, PC • Transparent cover
EKHA 130 T-2FSH	9996181	190 x 190 x 130	Enclosure, PC • Transparent hinged cover
EKHA 180 T-2FSH	9996185	190 x 190 x 180	Enclosure, PC • Transparent hinged cover
EKHS 130 G	2538007	190 x 190 x 130	Enclosure, PC • Grey cover
EKHS 180 G	2538010	190 x 190 x 180	Enclosure, PC • Grey cover
EKHS 130 G-2FSH	9996180	190 x 190 x 130	Enclosure, PC • Grey hinged cover
EKHS 180 G-2FSH	9996184	190 x 190 x 180	Enclosure, PC • Grey hinged cover
EKHS 130 T	2538107	190 x 190 x 130	Enclosure, PC • Transparent cover
EKHS 180 T	2538110	190 x 190 x 180	Enclosure, PC • Transparent cover
EKHS 130 T-2FSH	9996182	190 x 190 x 130	Enclosure, PC • Transparent hinged cover
EKHS 180 T-2FSH	9996186	190 x 190 x 180	Enclosure, PC • Transparent hinged cover
EKHA	3530139	190 x 190 x 100	Base, PC • Openings; 4x size 1 flange
EKHS	3530543	190 x 190 x 100	Base, PC • Openings; 1x size 1 flange
EKH 30-G	3730147	190 x 190 x 30	Cover • Grey, PC
EKH 80-G	3730555	190 x 190 x 80	Cover • Grey, PC
EKH 30-T	3720147	190 x 190 x 30	Cover • Transparent, PC
EKH 80-T	3720555	190 x 190 x 80	Cover • Transparent, PC

Accessories

Order symbol	Code	Dimensions	Description
EKHVT	3770548	148 x 148	Mounting plate
EKV 12	3770647	35 x 160	DIN-35 Mounting rail



EK
EKJ

280 x 190 PC: IP 66/IP 67, IK 08/IK 09
FSH: IP 65, IK 08/IK 09

Including: Flanged Base with screws for mounting plate/DIN-rail, cover with PUR gasket and polyamide cover screws.

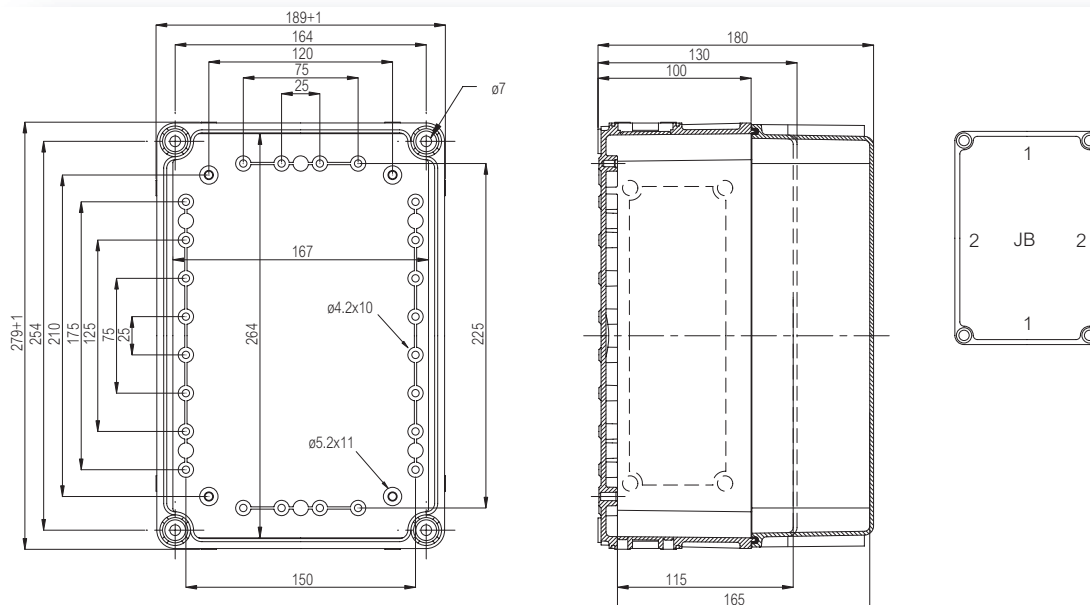


Enclosures

Order symbol	Code	Dimensions	Description
EKJB 130 G	2538013	280 x 190 x 130	Enclosure, PC ▪ Grey cover
EKJB 180 G	2538016	280 x 190 x 180	Enclosure, PC ▪ Grey cover
EKJB 130 G-2FSH	9996187	280 x 190 x 130	Enclosure, PC ▪ Grey hinged cover
EKJB 180 G-2FSH	9996189	280 x 190 x 180	Enclosure, PC ▪ Grey hinged cover
EKJB 130 T	2538113	280 x 190 x 130	Enclosure, PC ▪ Transparent cover
EKJB 180 T	2538116	280 x 190 x 180	Enclosure, PC ▪ Transparent cover
EKJB 130 T-2FSH	9996188	280 x 190 x 130	Enclosure, PC ▪ Transparent hinged cover
EKJB 180 T-2FSH	9996190	280 x 190 x 180	Enclosure, PC ▪ Transparent hinged cover
EKJB	3530140	280 x 190 x 100	Base, PC ▪ Openings; 2x size 1 flange + 2x size 2 flange
EKJ 30-G	3730146	280 x 190 x 30	Cover ▪ Grey, PC
EKJ 80-G	3730556	280 x 190 x 80	Cover ▪ Grey, PC
EKJ 30-T	3720146	280 x 190 x 30	Cover ▪ Transparent, PC
EKJ 80-T	3720556	280 x 190 x 80	Cover ▪ Transparent, PC

Accessories

Order symbol	Code	Dimensions	Description
EKJVT	3770549	238 x 148	Mounting plate
EKV 12	3770647	35 x 160	DIN-35 Mounting rail
EKV 22	3770648	35 x 235	DIN-35 Mounting rail
EKJZR	3730153	278 x 188 x 50	Extension frame





EK
EKM

380 x 190 PC: IP 66/IP 67, IK 08/IK 09
FSH: IP 65, IK 08/IK 09

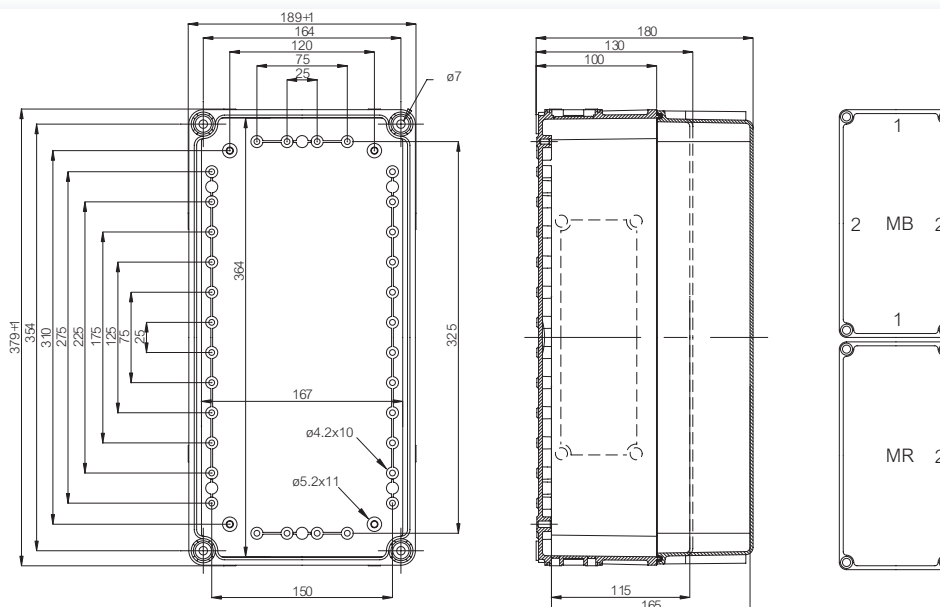
Including: Flanged Base with screws for mounting plate/DIN-rail, cover with PUR gasket and polyamide cover screws.

Enclosures

Order symbol	Code	Dimensions	Description
EKMB 130 G	2538019	380 x 190 x 130	Enclosure, PC • Grey cover
EKMB 180 G	2538022	380 x 190 x 180	Enclosure, PC • Grey cover
EKMB 130 G-2FSH	9996191	380 x 190 x 130	Enclosure, PC • Grey hinged cover
EKMB 180 G-2FSH	9996197	380 x 190 x 180	Enclosure, PC • Grey hinged cover
EKMB 130 T	2538119	380 x 190 x 130	Enclosure, PC • Transparent cover
EKMB 180 T	2538122	280 x 190 x 180	Enclosure, PC • Transparent cover
EKMB 130 T-2FSH	9996194	380 x 190 x 130	Enclosure, PC • Transparent hinged cover
EKMB 180 T-2FSH	9996200	280 x 190 x 180	Enclosure, PC • Transparent hinged cover
EKMR 130 G	2538025	380 x 190 x 130	Enclosure, PC • Grey cover
EKMR 180 G	2538028	380 x 190 x 180	Enclosure, PC • Grey cover
EKMR 130 G-2FSH	9996192	380 x 190 x 130	Enclosure, PC • Grey hinged cover
EKMR 180 G-2FSH	9996198	380 x 190 x 180	Enclosure, PC • Grey hinged cover
EKMR 130 T	2538125	380 x 190 x 130	Enclosure, PC • Transparent cover
EKMR 180 T	2538128	380 x 190 x 180	Enclosure, PC • Transparent cover
EKMR 130 T-2FSH	9996195	380 x 190 x 130	Enclosure, PC • Transparent hinged cover
EKMR 180 T-2FSH	9996201	380 x 190 x 180	Enclosure, PC • Transparent hinged cover
EKMB	3530136	380 x 190 x 100	Base, PC • Openings; 2x size 1 flange + 2x size 2 flange
EKMR	3530542	380 x 190 x 100	Base, PC • Openings; 1x size 2 flange
EKM 30-T	3720145	380 x 190 x 30	Cover • Transparent, PC
EKM 80-T	3720557	380 x 190 x 80	Cover • Transparent, PC
EKM 30-G	3730145	380 x 190 x 30	Cover • Grey, PC
EKM 80-G	3730557	380 x 190 x 80	Cover • Grey, PC

Accessories

Order symbol	Code	Dimensions	Description
EKMVT	3770550	338 x 148	Mounting plate
EKV 12	3770647	35 x 160	DIN-35 Mounting rail
EKV 32	3770649	35 x 335	DIN-35 Mounting rail
EKMZR	3730152	378 x 188 x 50	Extension frame



EK EKO

280 x 280 PC: IP 66/IP 67, IK 08/IK 09
FSH: IP 65, IK 08/IK 09

Including: Flanged Base with screws for mounting plate/DIN-rail, cover with PUR gasket and polyamide cover screws.

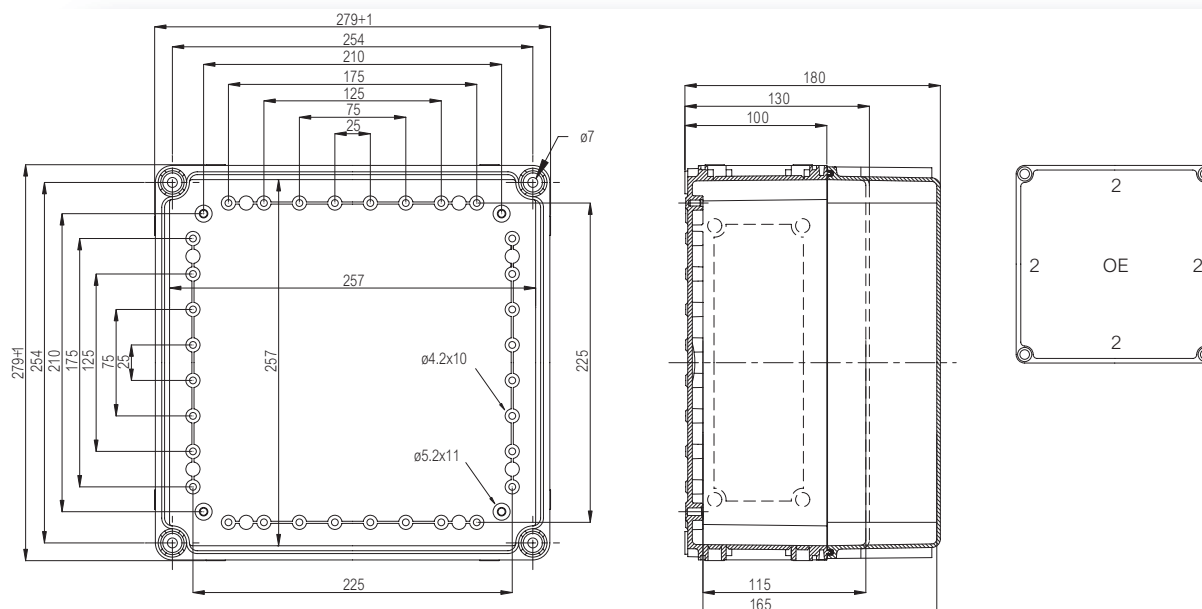


Enclosures

Order symbol	Code	Dimensions	Description
EKOE 130 G	2538037	280 x 280 x 130	Enclosure, PC ▪ Grey cover
EKOE 180 G	2538040	280 x 280 x 180	Enclosure, PC ▪ Grey cover
EKOE 130 G-2FSH	9996203	280 x 280 x 130	Enclosure, PC ▪ Grey hinged cover
EKOE 180 G-2FSH	9996205	280 x 280 x 180	Enclosure, PC ▪ Grey hinged cover
EKOE 130 T	2538137	280 x 280 x 130	Enclosure, PC ▪ Transparent cover
EKOE 180 T	2538140	280 x 280 x 180	Enclosure, PC ▪ Transparent cover
EKOE 130 T-2FSH	9996204	280 x 280 x 130	Enclosure, PC ▪ Transparent hinged cover
EKOE 180 T-2FSH	9996206	280 x 280 x 180	Enclosure, PC ▪ Transparent hinged cover
EKOE	3530095	280 x 280 x 100	Base, PC ▪ Openings; 4x size 2 flange
EKO 30-G	3730096	280 x 280 x 30	Cover ▪ Grey, PC
EKO 80-G	3730558	280 x 280 x 80	Cover ▪ Grey, PC
EKO 30-T	3720096	280 x 280 x 30	Cover ▪ Transparent, PC
EKO 80-T	3720558	280 x 280 x 80	Cover ▪ Transparent, PC

Accessories

Order symbol	Code	Dimensions	Description
EKOVT	3770551	238 x 238	Mounting plate
EKV 22	3770648	35 x 235	DIN-35 Mounting rail
EKOZR	3730093	278 x 278 x 50	Extension frame



EK EKPK, EKPL

380 x 280 PC: IP 66/IP 67, IK 08/IK 09
FSH: IP 65, IK 08/IK 09

Including: Flanged Base with screws for mounting plate/DIN-rail, cover with PUR gasket and polyamide cover screws.

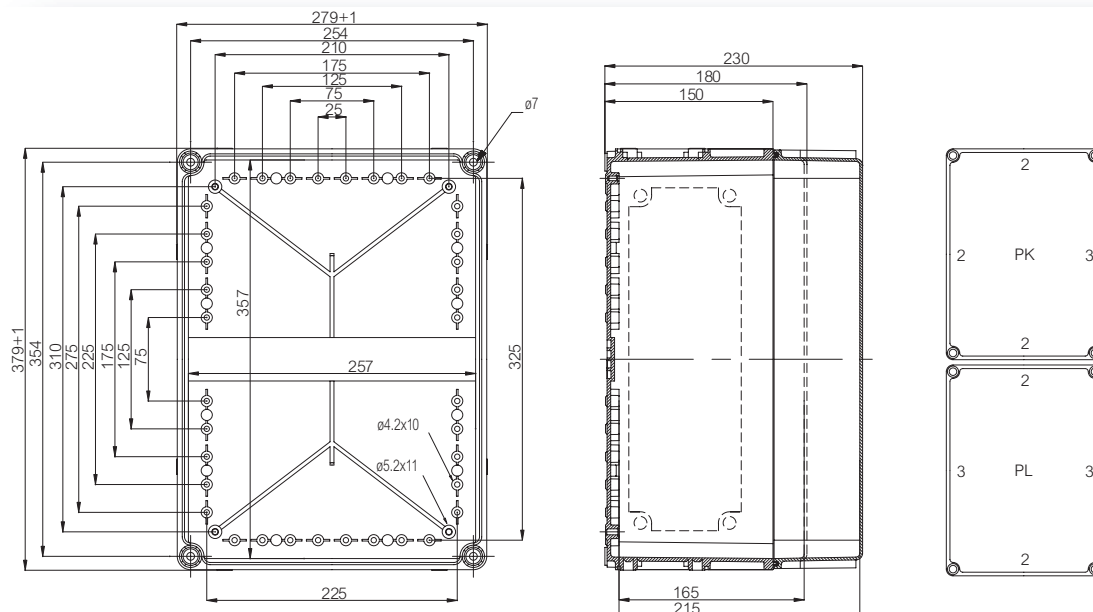


Enclosures

Order symbol	Code	Dimensions	Description
EKPK 180 G	2538055	380 x 280 x 180	Enclosure, PC ▪ Grey cover
EKPK 230 G	2538058	380 x 280 x 230	Enclosure, PC ▪ Grey cover
EKPK 180 G-2FSH	9996209	380 x 280 x 180	Enclosure, PC ▪ Grey hinged cover
EKPK 230 G-2FSH	9996217	380 x 280 x 230	Enclosure, PC ▪ Grey hinged cover
EKPK 180 T	2538155	380 x 280 x 180	Enclosure, PC ▪ Transparent cover
EKPK 230 T	2538158	380 x 280 x 230	Enclosure, PC ▪ Transparent cover
EKPK 180 T-2FSH	9996213	380 x 280 x 180	Enclosure, PC ▪ Transparent hinged cover
EKPK 230 T-2FSH	9996221	380 x 280 x 230	Enclosure, PC ▪ Transparent hinged cover
EKPL 180 G	2538061	380 x 280 x 180	Enclosure, PC ▪ Grey cover
EKPL 230 G	2538064	380 x 280 x 230	Enclosure, PC ▪ Grey cover
EKPL 180 G-2FSH	9996210	380 x 280 x 180	Enclosure, PC ▪ Grey hinged cover
EKPL 230 G-2FSH	9996218	380 x 280 x 230	Enclosure, PC ▪ Grey hinged cover
EKPL 180 T	2538161	380 x 280 x 180	Enclosure, PC ▪ Transparent cover
EKPL 230 T	2538164	380 x 280 x 230	Enclosure, PC ▪ Transparent cover
EKPL 180 T-2FSH	9996214	380 x 280 x 180	Enclosure, PC ▪ Transparent hinged cover
EKPL 230 T-2FSH	9996222	380 x 280 x 230	Enclosure, PC ▪ Transparent hinged cover
EKPK	3530315	380 x 280 x 150	Base, PC ▪ Openings; 3x size 2 flange + 1x size 3 flange
EKPL	3530316	380 x 280 x 150	Base, PC ▪ Openings; 2x size 2 flange + 2x size 3 flange
EKP 30-G	3730143	380 x 280 x 30	Cover ▪ Grey, PC
EKP 80-G	3730559	380 x 280 x 80	Cover ▪ Grey, PC
EKP 30-T	3720143	380 x 280 x 30	Cover ▪ Transparent, PC
EKP 80-T	3720559	380 x 280 x 80	Cover ▪ Transparent, PC

Accessories

Order symbol	Code	Dimensions	Description
EKPV	3770552	338 x 238	Mounting plate
EKV 22	3770648	35 x 235	DIN-35 Mounting rail
EKV 32	3770649	35 x 335	DIN-35 Mounting rail
EKPZR	3730141	378 x 278 x 50	Extension frame





EK
EKT

560 x 280 PC: IP 66/IP 67, IK 08/IK 09
FSH: IP 65, IK 08/IK 09

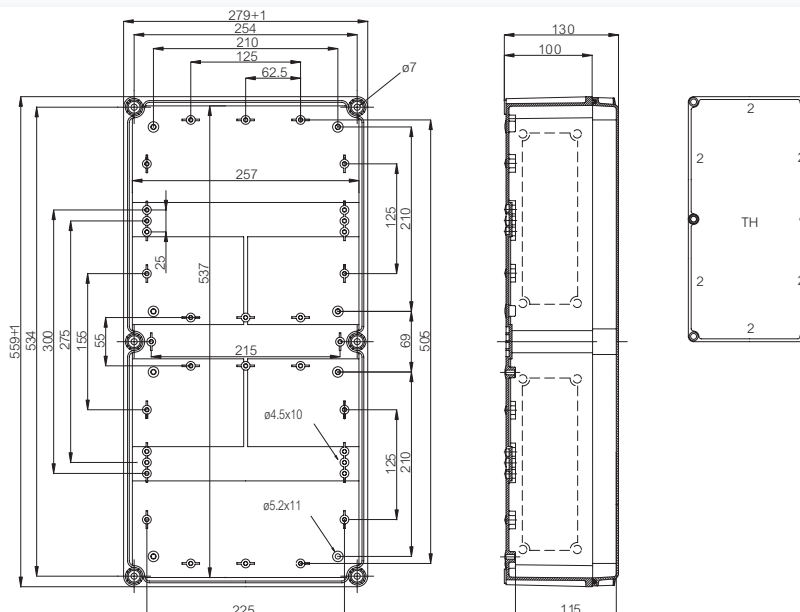
Including: Flanged Base with screws for mounting plate/DIN-rail, cover with PUR gasket and polyamide cover screws.

Enclosures

Order symbol	Code	Dimensions	Description
EKTH 130 G	2538067	560 x 280 x 130	Enclosure, PC • Grey cover
EKTH 130 G-3FSH	9996223	560 x 280 x 130	Enclosure, PC • Grey hinged cover
EKTH 130 T	2538167	560 x 280 x 130	Enclosure, PC • Transparent cover
EKTH 130 T-3FSH	9996224	560 x 280 x 130	Enclosure, PC • Transparent hinged cover
EKTH	3530132	560 x 280 x 100	Base, PC • Openings; 6x size 2 flange
EKT 30-G	3730144	560 x 280 x 30	Cover • Grey, PC
EKT 30-T	3720144	560 x 280 x 30	Cover • Transparent, PC

Accessories

Order symbol	Code	Dimensions	Description
EKTVT	3770553	518 x 238	Mounting plate
EKV 22	3770648	35 x 235	DIN-35 Mounting rail
EKV 50	3770699	35 x 500	DIN-35 Mounting rail
EKTZR	3730142	558 x 278 x 50	Extension frame



EK EKU

560 x 380 PC: IP 66/IP 67, IK 08/IK 09
FSH: IP 65, IK 08/IK 09

Including: Flanged Base with screws for mounting plate/DIN-rail, cover with PUR gasket and polyamide cover screws.

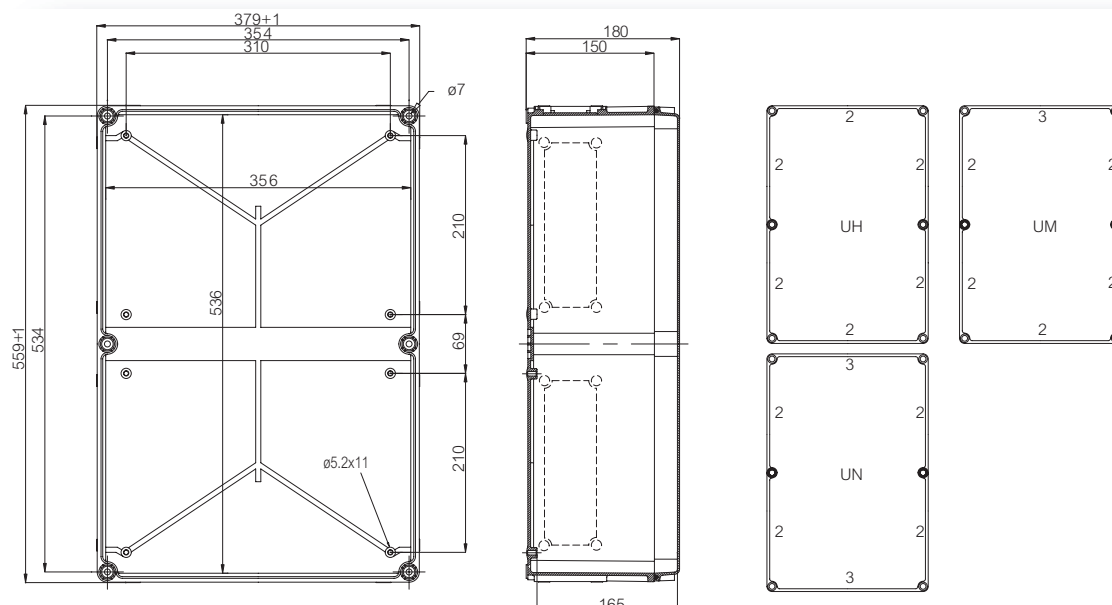


Enclosures

Order symbol	Code	Dimensions	Description
EKUH 180 G	2538073	560 x 380 x 180	Enclosure, PC ▪ Grey cover
EKUH 180 G-3FSH	9996225	560 x 380 x 180	Enclosure, PC ▪ Grey hinged cover
EKUH 180 T	2538173	560 x 380 x 180	Enclosure, PC ▪ Transparent cover
EKUH 180 T-3FSH	9996228	560 x 380 x 180	Enclosure, PC ▪ Transparent hinged cover
EKUM 180 G	2538079	560 x 380 x 180	Enclosure, PC ▪ Grey cover
EKUM 180 G-3FSH	9996226	560 x 380 x 180	Enclosure, PC ▪ Grey hinged cover
EKUM 180 T	2538179	560 x 380 x 180	Enclosure, PC ▪ Transparent cover
EKUM 180 T-3FSH	9996229	560 x 380 x 180	Enclosure, PC ▪ Transparent hinged cover
EKUN 180 G	2538085	560 x 380 x 180	Enclosure, PC ▪ Grey cover
EKUN 180 G-3FSH	9996227	560 x 380 x 180	Enclosure, PC ▪ Grey hinged cover
EKUN 180 T	2538185	560 x 380 x 180	Enclosure, PC ▪ Transparent cover
EKUN 180 T-3FSH	9996230	560 x 380 x 180	Enclosure, PC ▪ Transparent hinged cover
EKUM	3530319	560 x 380 x 150	Base, PC ▪ Openings; 5x size 2 flange + 1x size 3 flange
EKUH	3530317	560 x 380 x 150	Base, PC ▪ Openings; 6x size 2 flange
EKUN	3530318	560 x 380 x 150	Base, PC ▪ Openings; 4x size 2 flange + 2x size 3 flange
EKU 30-G	3730320	560 x 380 x 30	Cover ▪ Grey, PC
EKU 30-T	3720320	560 x 380 x 30	Cover ▪ Transparent, PC

Accessories

Order symbol	Code	Dimensions	Description
EKUVT	3770554	518 x 338	Mounting plate
EKV 32	3770649	35 x 335	DIN-35 Mounting rail
EKUZR	3730323	558 x 378 x 50	Extension frame



ACCESSORIES

Order symbol Code Description

Mounting plates (Galvanized steel, sheet thickness 1,5 mm)

EKHVT	3770548	148 x 148
EKJVT	3770549	238 x 148
EKMVT	3770550	338 x 148
EKOVT	3770551	238 x 238
EKPVT	3770552	338 x 238
EKTVT	3770553	518 x 238
EKUVT	3770554	518 x 338

Mounting plates for kWh-meter

EKPVM2	3770839	338 x 238 • for kWh-meter
EKPVM2P	3771839	338 x 238 • for kWh-meter (polyester)
M6x16	3570678	Mounting screw • for mounting the kWh meter

DIN-35 Mounting rails (Galvanized steel, rail height 7,5 mm)

EKV 12	3770647	35 x 160
EKV 22	3770648	35 x 235
EKV 32	3770649	35 x 335
EKV 50	3770699	35 x 500

Mounting rail accessories

MSM PT 5x10	4712049	Mounting screw
MB 10686	3730686	Set of 2 spacers including screws • (15/34 mm)

DIN rail frames

MS PROF 19	3510840	DIN rail frames
MS PROF 28	3510841	DIN rail frames
MS PROF 38	3510842	DIN rail frames
MS PROF 56	3510843	DIN rail frames
EKT PROF 56	3510844	DIN terminal rail

Extension frames (Polycarbonate, PUR Gasket)

EKJZR	3730153	278 x 188 x 50
EKMZR	3730152	378 x 188 x 50
EKOZR	3730093	278 x 278 x 50
EKPZR	3730141	378 x 278 x 50
EKTZR	3730142	558 x 278 x 50
EKUZR	3730323	558 x 378 x 50

Front plates with DIN-openings

FP12-2819	3770765	280 x 190 • 12 modules
FP12-2828	3770756	280 x 280 • 12 modules
FP12x2-2828	3770766	280 x 280 • 2x12 modules
FP12x2-2838	3770769	280 x 380 • 2x12 modules
FP12x3-2838	3770767	280 x 380 • 3x12 modules
FP12x3-2856	3770768	280 x 560 • 3x12 modules

MB FP88 and MB FP882 spacers

MB FP88	3530764	Distance spacer for front plates
MB FP882	3530771	Distance spacer for front plates
MB 26050	5026050	Cover plate for 12 modules • (1 module = 17,5 mm)
MB 26069SET	5126029	N/PE terminal bracket set • incl. 2 pcs of terminals (16-holes)
MS BAR CLAMP	4712232	Terminal bus-bar clamp, 25 mm ²
MR 26145	5026145	Terminal bus-bar clamp, 35 mm ²

PC front plates for FX20 SET

FX FP 8-2819	3770849	280 x 190 • Blue, thickness 2 mm
FX FP 12-2828	3770850	280 x 280 • Blue, thickness 2 mm
FX FP 2*12-2838	3770851	380 x 280 • Blue, thickness 2 mm
FX FP 3*12-2856	3770852	560 x 280 • Blue, thickness 2 mm

Corner stud FX20 SET

FX20 SET	3570791	Corner stud set (4 pcs) • incl. screws
MB 10791	3730791	Corner stud (separate)
MB 10792	3730792	Front plate screw
MS BAR 2+18	4712199	PE/N terminal bus-bar 25+ 10 mm ²



ACCESSORIES

Order symbol Code Description

PC front plates for MB 60MM bus-bar holder

MB FP 2828	3770853	280 x 280 ▪ Blue, thickness 2 mm
MB FP 3828	3770854	380 x 280 ▪ Blue, thickness 2 mm
MB FP 5628	3770855	560 x 280 ▪ Blue, thickness 2 mm

60 MM Bus-Bar

MB 60MM	3532385	Bus-bar holder set ▪ incl. screws and support
MB 10792	3730792	Front plate screw

Hinges and wall mounting

MB 10622	3530622	PC Hinge set, 1 pair ▪ incl. screws and drill template
MB 10547	3570547	PA Hinge set, 1 pair ▪ incl. screws
EKZKS 1	3570570	Hinge set, metal
MB 10523	3560523	Blind plug for cover corner on hinged side when cover screws are not used
MB 10674	3770674	Wall fastening lug (4 pcs) ▪ incl. screws

Cover screws

HS 10255	3540255	Wing head ▪ for 30 mm cover
CS 10256	3540256	Cross head ▪ for 30/100 mm cover
SS 10535	3540535	Slotted head (sealable) ▪ for 30 mm cover
SS 10544	3570544	Slotted head (quick-lock) ▪ for 30/100 mm cover
HS 10533	3570533	Wing head (quick-lock) ▪ for 30 mm cover
HS 10532	3570532	Quick-locking wing head (hinged) ▪ for 30 mm cover
MB 10534	3540534	Threaded bushing ▪ to be ordered separately with quick-lock screws
SS 10563	3540563	Cross head ▪ for 80 mm cover
HS 10562	3540562	Wing head ▪ for 80 mm cover
DS 10581	3540581	Triangle head ▪ for 30/80/100 mm cover
MB 10673 SET	3570673	Triangular key ▪ for cover screw DS 10581
SS 10256 N	3510256	Slotted head, Noryl (good chemical resistance) ▪ for 30 mm cover
HS 10255 N	3510255	Wing head, Noryl (good chemical resistance) ▪ for 30 mm cover
SS 10256-4	3544256	Set of 4 cross head screws ▪ for 30/100 mm cover
SS 10256-6	3546256	Set of 6 cross head screws ▪ for 30/100 mm cover
SS 10563-4	3544563	Set of 4 cross head screws ▪ for 80 mm cover

Spacers for corners of the base

MR 10726	5070726	Spacer 15 mm ▪ M6 self-cutting
MR 10727	5070727	Spacer 20 mm ▪ M6 self-cutting
MR 10728	5070728	Spacer 30 mm ▪ M6 self-cutting
MR 10729	5070729	Spacer 54 mm ▪ M6 self-cutting
HR 10	3570655	Extension for MR spacer ▪ 10 mm, M6/M6
HR 15	3570656	Extension for MR spacer ▪ 15 mm, M6/M6
HR 20	3570657	Extension for MR spacer ▪ 20 mm, M6/M6
HR 30	3570658	Extension for MR spacer ▪ 30 mm, M6/M6

Spacers for middle mounting pods

FA 12053	4712053	Spacer 14 mm ▪ M5 self-cutting
FA 12052	4712052	Spacer 42 mm ▪ M5 self-cutting

Key-Lock Set

MB 10597	3570597	Lock and two keys ▪ For 30mm covers only
----------	---------	--

Connecting enclosures

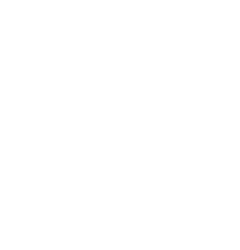
MB 10671	3570671	Connector set, size 1 ▪ incl. 4 screws
MB 10670	3570670	Connector set, size 2 ▪ incl. 4 screws
MB 10672	3570672	Connector set, size 3 ▪ incl. 4 screws
MB 10472	3570472	Plastic head screw (M6x30) for the assembly of bases ▪ with size 1 opening
MB 10474	3570474	Plastic head screw (M8x30) for the assembly of bases ▪ with size 2 opening
M-6	3570576	Lock nut for plastic head screws ▪ (Size M6)
M-8	3570577	Lock nut for plastic head screws ▪ (Size M8)

Base connectors

MB 10717	3530717	Connection bridge and gasket ▪ size 2
MB 10718	3530718	Connection bridge and gasket ▪ size 3

Fastening of big systems

EKZK1	3570573	Connecting rail ▪ standard length 2000 mm
EKSZY2	3570572	Stud rail ▪ standard length 2000 mm
EKZKH1	3570613	Sleeve lock for connecting rail



ACCESSORIES

Order symbol	Code	Description
--------------	------	-------------

Plates and connectors (More products on Cable Management section)

MB 10215	3530215	Cover plate • size 1
MB 10546	3530546	Cover plate • size 2

Metric flange plates

MB 10862	3530862	Size 2 • 2xM16+3xM20+2xM25+2xM32, PUR gasket
MB 10857	3530857	Size 2 • 4xM12+4xM12/M20+4xM16/M25

PG Flange plates

MB 10014	3530014	Size 2 • 12x PG16
MB 10596	3530596	Size 2 • 4x PG11/21+7x PG16

Membrane flange plates

FMB 5F	3550794	Size 1, Lead-through 8 (Ø2.5-25mm) • Optional RJ-45 lead-through
FMC 25F	3550796	Size 2, Lead-through 29 (Ø3-26mm) • Optional RJ-45 lead-through

Connector sets

MB 10671	3570671	Connector set, size 1 • incl. 4 screws
MB 10670	3570670	Connector set, size 2 • incl. 4 screws

Flange gaskets

MK 10437	3510437	Flange gasket • size 1
MK 10438	3510438	Flange gasket • size 2

EK technical information

Property	Polycarbonate (PC)
Ingress Protection (EN 60529)	IP 66/IP 67 IP 65 (FSH)
Impact Resistance (EN 62262)	IK 08 (side surface) IK 09 (front surface)
Temperature Range Celsius (short term) Fahrenheit	-40° . . .120°C -40° . . .250°F
Temperature Range Celsius (continuous) Fahrenheit	-40° . . .80°C -40° . . .175°F
Electrical Insulation	Totally insulated ☑
Light Grey Parts Colour	RAL 7035 Industry Grey
Transparent Clear PC Cover	Clear transparent
Cover Screws	RAL 7035
Cover Screws	Polyamide (PA)
Gasket	PUR/EPDM
Enclosure Flammability Rating	UL 94-5V
Glow Wire Test (IEC 695-2-1) Self-extinguishing (PC)	960°C
Non-toxicity	Halogen Free
UV resistance	UL 508 720 hours in "Weatherometer"
Chemical Resistance *	Good

Confirmity to standards

USA Enclosures for Electrical Equipment
PC: UL Type 1, 3, 3S, 4, 4X, 6, 6P or 12; UL File E75645
Vol 1 Sec 2; UL 746C-5VA flame test (UL 50/508)

Canada Industrial Control Equipment
Enclosures for Electrical Equipment/ULc

Europe Empty enclosures for low-voltage switchgear and
controlgear assemblies EN 62208:2003 (50298:1998)

Europe Safety of Information Technology Equipment
EN 60950

RoHS directive 2002/95/EC

Russia GostR - Gost Russian certificate of conformity

Data subject to change without notice.

*Consult separate raw material data for more detailed information