

Fibox MCE

MCE - Modular Component Enclosures offer easy-to-use and practical functionality and design to house automation, control and switch gear components. MCE enclosures can be connected to each other with flange openings to build bigger panels. Cable entries are available in all sides. There are 5, 9, 14, 28 and 42 module options available as stock products. Bigger solutions are available upon request.



MCE



**Adjustable mounting depth
for DIN-rail components**



**Multi-cable entry
with one gland**



**RoHS compliant and
halogen-free**

Fibox MCE

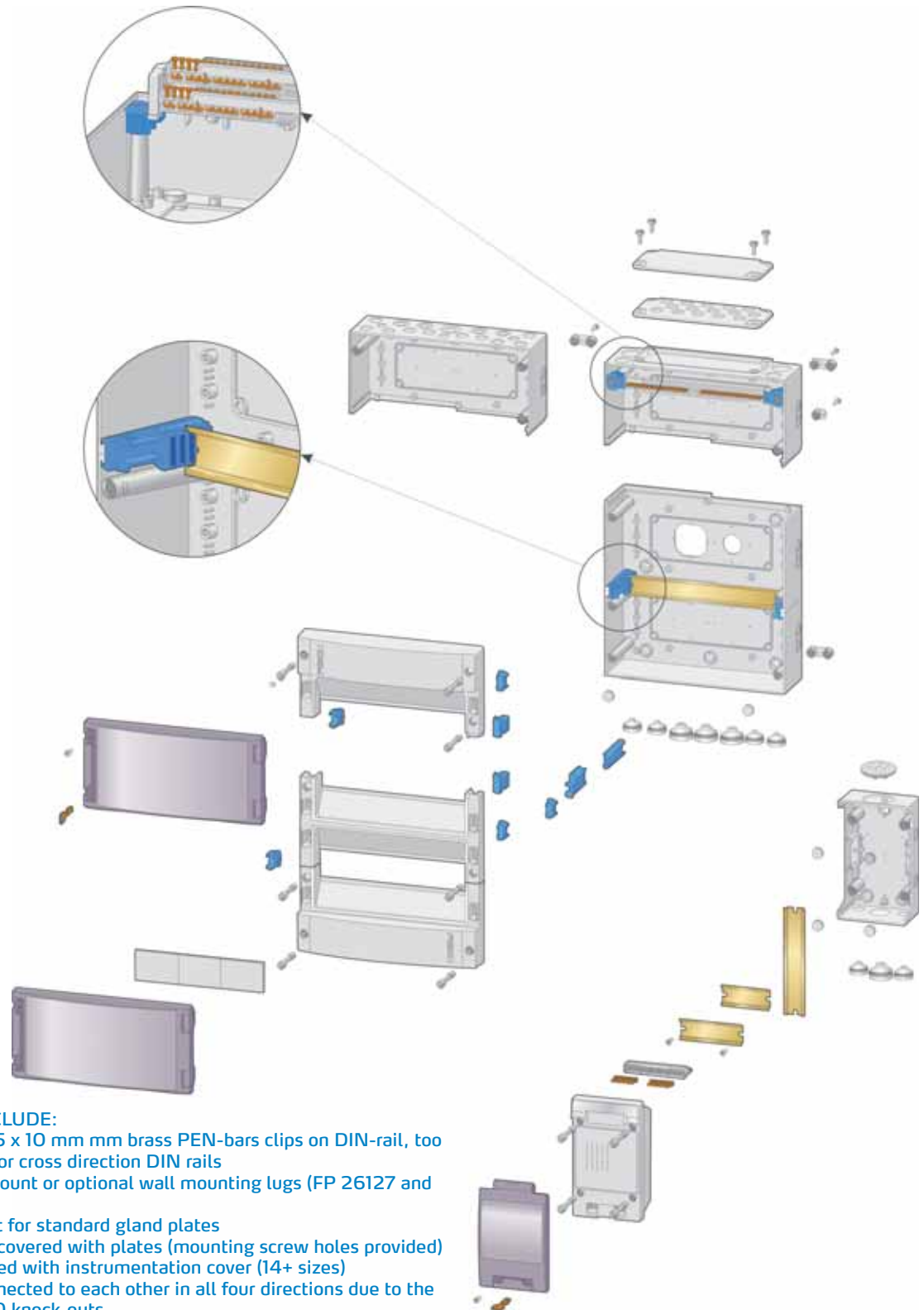
SPACIOUS AND EASY TO WIRE PEN supports are positioned to allow optimum wiring space inside the enclosure. Their position also makes wiring as easy as possible.

DIN rails are mounted away from the base of the enclosure and on units of 14+ modules the position is adjustable.

Large knockouts are provided in the base of the enclosure to accommodate the entry of flush wiring.

EVERY WIRING CONFIGURATION MADE POSSIBLE "MULTI FEM", multi-cable membrane glands, size M50, enable quick and effective entry of 3 x Ø 6-10 mm, 3 x Ø 10-14 mm through one single membrane while maintaining IP65.

In sizes for 14 modules and above many gland plate options are available including blind, metric, PG, threaded, NPT and membrane versions. There are cable entries on five sides of every MCE enclosure and all of them are to the metric standard.



OTHER FEATURES INCLUDE:

- Terminal holder for 6,5 x 10 mm brass PEN-bars clips on DIN-rail, too
- Extra mounting pods for cross direction DIN rails
- Direct key hole wall mount or optional wall mounting lugs (FP 26127 and FP 26128)
- Size 2/FL 21 knock-out for standard gland plates
- Front aperture can be covered with plates (mounting screw holes provided)
- Window can be replaced with instrumentation cover (14+ sizes)
- Enclosures can be connected to each other in all four directions due to the smooth sides and M20 knock-outs
- Enclosure can be mounted directly on flush mounted junction boxes via purpose designed knock-outs in the bottom of the enclosure



MCE PC 5

200 x 116

PC: IP 65, IK 08

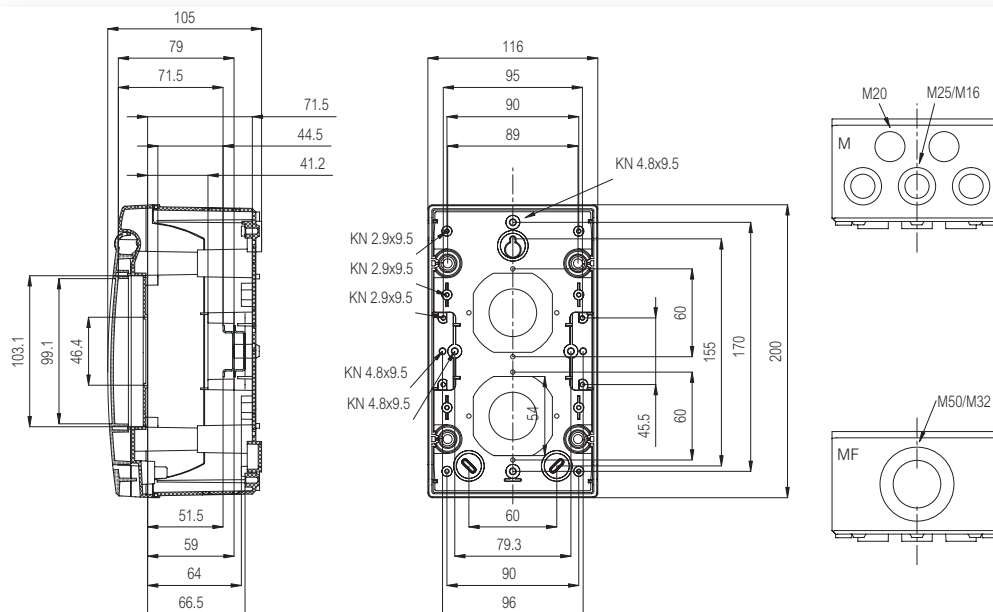
Including: Modular component enclosure with TPE gaskets, mounted DIN 35-rail, two PEN 10 mm² bars mounted, Multi-FEM and FEM membrane cable glands, module marking stripe and pocket, wall mount cover plugs and mounting instructions.

Enclosures

Order symbol	Code	Dimensions	Description
MCE PC 5 MF/M	7215161	200 x 116 x 105	DIN rail modular enclosure, PC

Accessories

Order symbol	Code	Dimensions	Description
FP 26128	7611218		Fastening lug set • Single
FP 26127	7611217		Fastening lug set • Double



MCE PC 9

200 x 190

PC: IP 65, IK 08



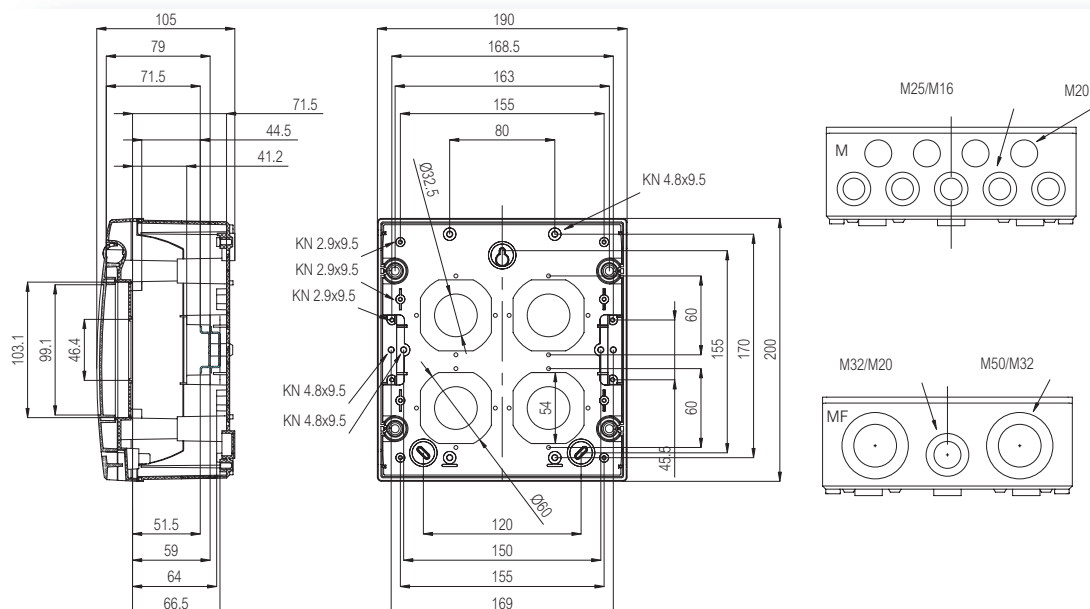
Including: Modular component enclosure with TPE gaskets, mounted DIN 35-rail, two PEN 10 mm2 bars mounted, Multi-FEM and FEM membrane cable glands, module marking stripe and pocket, wall mount cover plugs and mounting instructions.

Enclosures

Order symbol	Code	Dimensions	Description
MCE PC 9 MF/M	7219171	200 x 190 x 105	DIN rail modular enclosure, PC

Accessories

Order symbol	Code	Dimensions	Description
FP 26128	7611218		Fastening lug set • Single
FP 26127	7611217		Fastening lug set • Double





MCE PC 14

280 x 306

PC: IP 65, IK 08

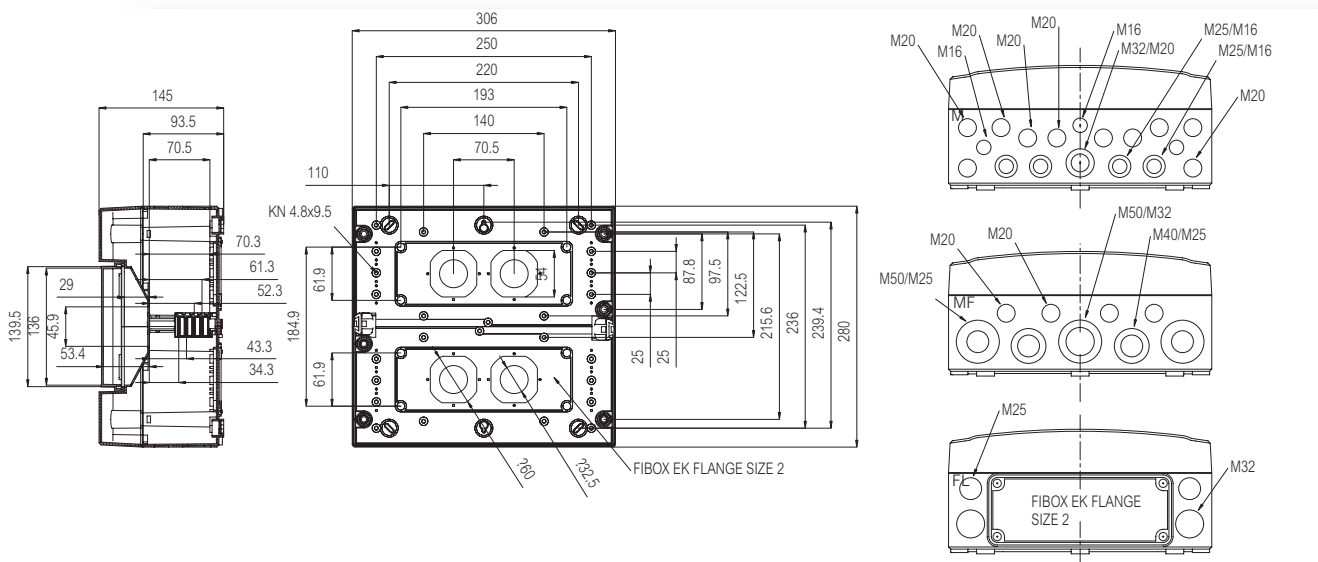
Including: Modular component enclosure with TPE gaskets, mounted DIN 35-rail, two PEN 10 mm² bars mounted, Multi-FEM and FEM membrane cable glands, module marking stripe and pocket, wall mount cover plugs and mounting instructions.

Enclosures

Order symbol	Code	Dimensions	Description
MCE PC 14 MF/M	7211181	280 x 306 x 145	DIN rail modular enclosure, PC
MCE PC 14 MF/FL	7211215	280 x 306 x 145	DIN rail modular enclosure, PC

Accessories

Order symbol	Code	Dimensions	Description
FP A 26133	7453133	262 x 139	Front plate, aluminium ▪ for MCE 14-42
FP 26128	7611218		Fastening lug set ▪ Single
FP 26127	7611217		Fastening lug set ▪ Double



MCE PC 28

430 x 306

PC: IP 65, IK 08



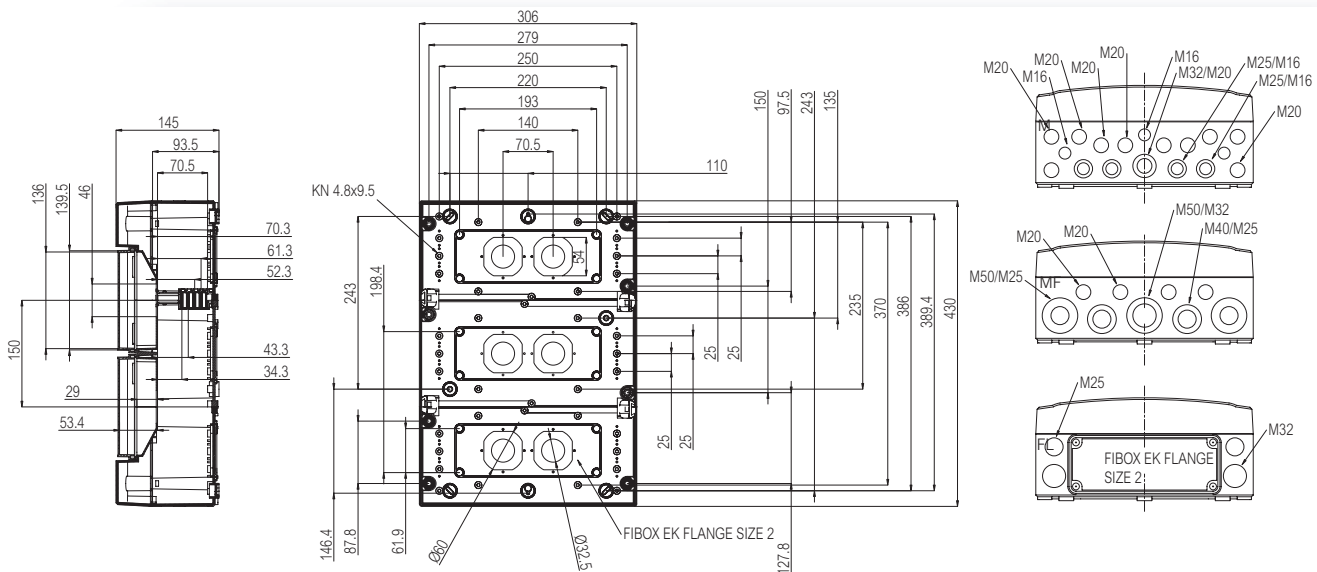
Including: Modular component enclosure with TPE gaskets, mounted DIN 35-rails, three mounted PEN 10 mm² bars, Multi-FEM and FEM membrane cable glands, module marking stripes and pockets, wall mount cover plugs and mounting instructions.

Enclosures

Order symbol	Code	Dimensions	Description
MCE PC 28 MF/M	7212181	430 x 306 x 145	DIN rail modular enclosure, PC
MCE PC 28 MF/FL	7212215	430 x 306 x 145	DIN rail modular enclosure, PC

Accessories

Order symbol	Code	Dimensions	Description
FP A 26133	7453133	262 x 139	Front plate, aluminium • for MCE 14-42
FP 26128	7611218		Fastening lug set • Single
FP 26127	7611217		Fastening lug set • Double





MCE PC 42

580 x 306

PC: IP 65, IK 08

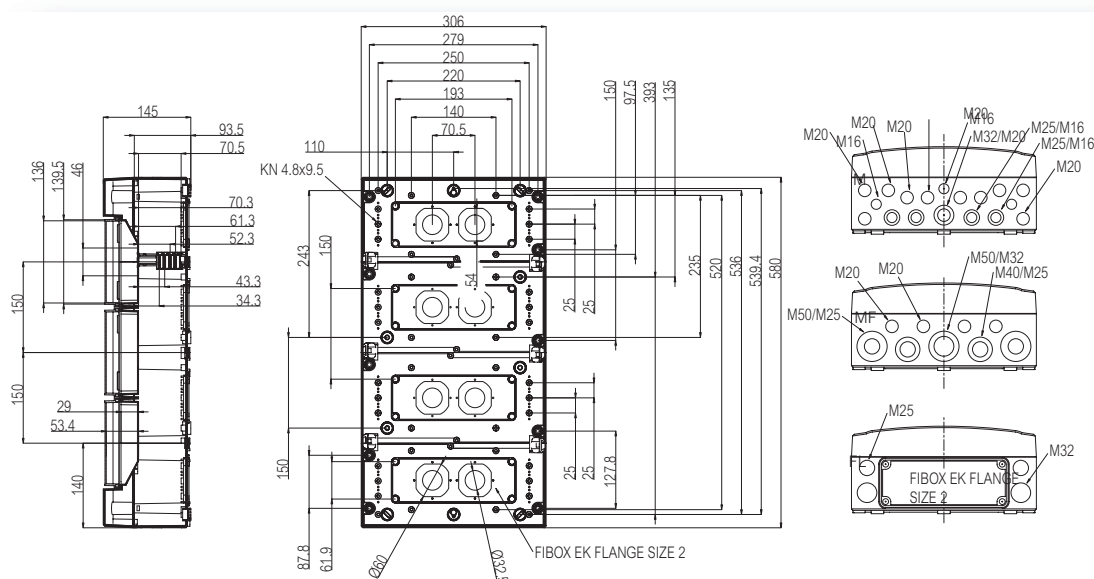
Including: Modular component enclosure with TPE gaskets, mounted DIN 35-rails, three mounted PEN 10 mm² bars, Multi-FEM and FEM membrane cable glands, module marking stripes and pockets, wall mount cover plugs and mounting instructions.

Enclosures

Order symbol	Code	Dimensions	Description
MCE PC 42 MF/M	7214181	580 x 306 x 145	DIN rail modular enclosure, PC
MCE PC 42 MF/FL	7214215	580 x 306 x 145	DIN rail modular enclosure, PC

Accessories

Order symbol	Code	Dimensions	Description
FP A 26133	7453133	262 x 139	Front plate, aluminium ▪ for MCE 14-42
FP 26128	7611218		Fastening lug set ▪ Single
FP 26127	7611217		Fastening lug set ▪ Double



ACCESSORIES

Order symbol	Code	Description
Front plate (aluminium, for MCE 14-42)		
FP A 26133	7453133	262 x 139 • for MCE 14-42
Wall mounting and locking		
FP 26128	7611218	Fastening lug set • Single
FP 26127	7611217	Fastening lug set • Double
MB 26146 SET	7611146	Pad locking set
Marking stripes and pockets		
MB 26061	7426061	Marking stripe for MCE 5
MB 26062	7426062	Marking stripe pocket for MCE 5
MB 26063	7426063	Marking stripe for MCE 9
MB 26064	7426064	Marking stripe pocket for MCE 9
MB 26065	7426065	Marking stripe for MCE 14-42
MB 26066	7426066	Marking stripe pocket for MCE 14-42
Terminal bus-bar clamps		
MS BAR CLAMP	4712232	Terminal bus-bar clamp, 25 mm ²
MR 26145	5026145	Terminal bus-bar clamp, 35 mm ²
Polyamide sealing plugs		
DP 14553	6314553	Sealing plug for cover screw • Grey
DPS 14553	6300006	Grey sealing plug set • (40 pcs)
Cover plate		
MB 26050	5026050	Cover plate for 12 modules • (1 module = 17,5 mm)



MCE technical information

Property	Polycarbonate (PC)
Ingress Protection (EN 60529)	IP 65
Impact Resistance (EN 62262)	IK 08
Temperature Range Celsius (short term) Fahrenheit	-40°...120°C -40°...250°F
Temperature Range Celsius (continuous) Fahrenheit	-40°...80°C -40°...175°F
Electrical Insulation	Totally insulated
Light Grey Parts Colour	RAL 7035 Industry Grey
Transparent Clear PC Cover	Smoked Grey
Cover Screws	RAL 7035
Cover Screws	Polyamide (PA)
Gasket	TPE, Thermo Plastic Elastomer
Enclosure Flammability Rating	UL 94-5V
Glow Wire Test (IEC 695-2-1) Self-extinguishing (PC)	960°C
Non-toxicity	Halogen Free
UV resistance	UL 508 720 hours in "Weatherometer"
Chemical Resistance *	Good

Conformity to standards

USA Enclosures for Electrical Equipment
PC: NEMA 1, 3, 3S, 12 or 13; UL 746C-5VA flame test (UL 50/508)

Canada Industrial Control Equipment
Enclosures for Electrical Equipment/ULc

Europe Empty enclosures for low-voltage switchgear and controlgear assemblies EN 62208:2003 (50298:1998)

Europe Safety of Information Technology Equipment
EN 60950
RoHS directive 2002/95/EC

Russia GostR - Gost Russian certificate of conformity

Data subject to change without notice.

*Consult separate raw material data for more detailed information