

## Fibox TEMPO

Fibox Tempo enclosures are easy to use because they are designed to save time and money in assembly and installation. Enclosures are fully compatible with the most common types of standard enclosure market. Plain cover offers lots of space for printing and labels.



# TEMPO



Market compatible dimensions Quick-to-install hinge and mounting pods



RoHS compliant and halogen-free

# TEMPO ABS 1912

187 x 122

ABS: IP 65, IK 07



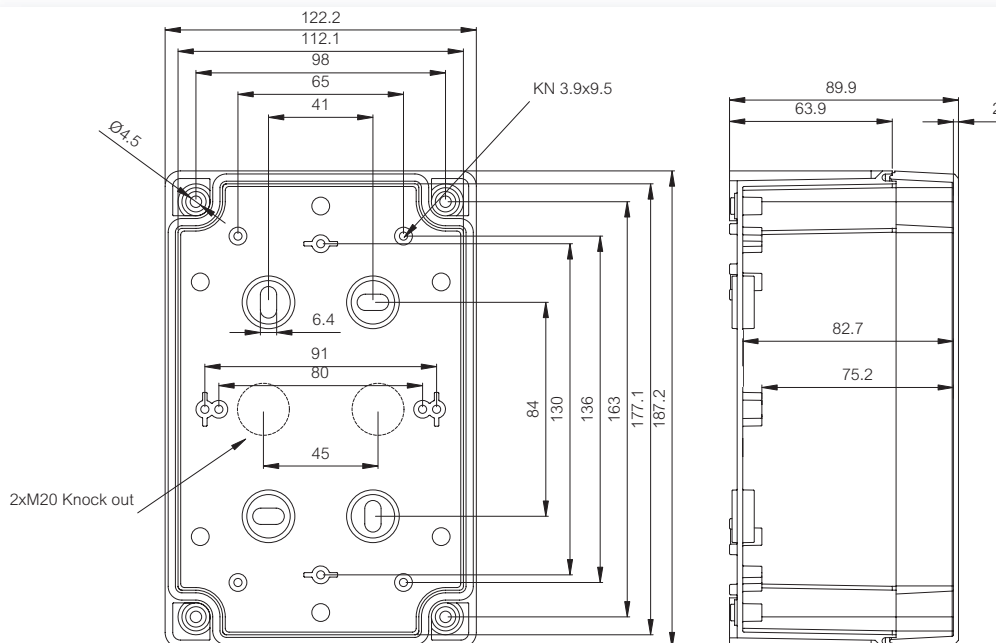
Including: Base with PUR gasket and screws for mounting plate/DIN-rail, cover with polyamide cover screws and plastic hinges.

## Enclosures

Order symbol	Code	Dimensions	Description
TA191209	5814000	187 x 122 x 90	Enclosure, ABS • Grey cover
TA191209T	5814005	187 x 122 x 90	Enclosure, ABS • Clear transparent cover

## Accessories

Order symbol	Code	Dimensions	Description
MP 1912	5518022	140 x 100	Mounting plate
MIV 10	5514082	35 x 100	DIN-35 Mounting rail
DH-3	8524032	35 x 140	DIN-35 Mounting rail
FP 10674	5510674		Wall fastening lug (2 pcs) • incl. screws
DPS 14553	6300006		Grey sealing plug set • (40 pcs)





# TEMPO ABS 2016

201 x 163

ABS: IP 65, IK 07

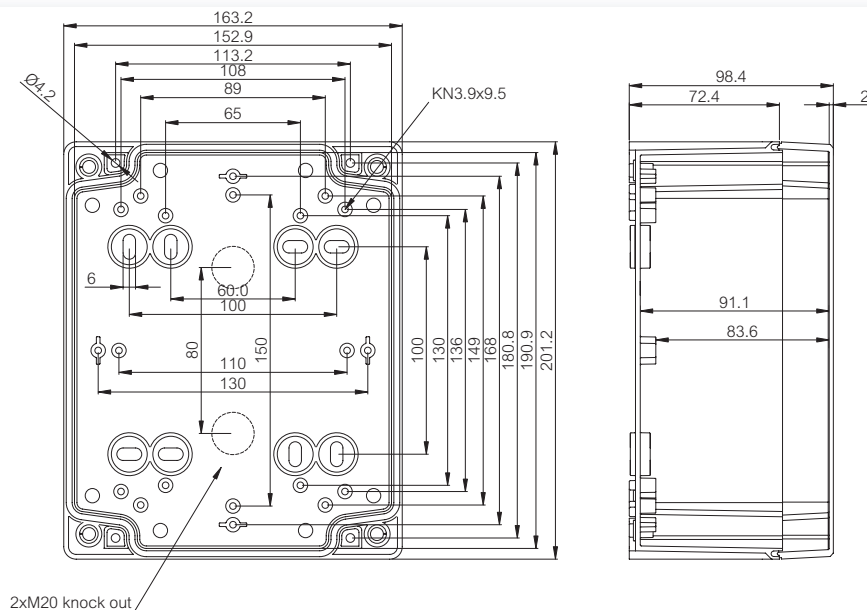
Including: Base with PUR gasket and screws for mounting plate/DIN-rail, cover with polyamide cover screws and plastic hinges.

## Enclosures

Order symbol	Code	Dimensions	Description
TA201610	5814001	201 x 163 x 98	Enclosure, ABS • Grey cover
TA201610T	5814006	201 x 163 x 98	Enclosure, ABS • Clear transparent cover

## Accessories

Order symbol	Code	Dimensions	Description
MP 2016	5518023	155 x 140	Mounting plate
DH-3	8524032	35 x 140	DIN-35 Mounting rail
ARH 2320	9822005	35 x 180	DIN-35 Mounting rail
FP 10674	5510674		Wall fastening lug (2 pcs) • incl. screws
DPS 14553	6300006		Grey sealing plug set • (40 pcs)



# TEMPO ABS 2419

240 x 191

ABS: IP 65, IK 07



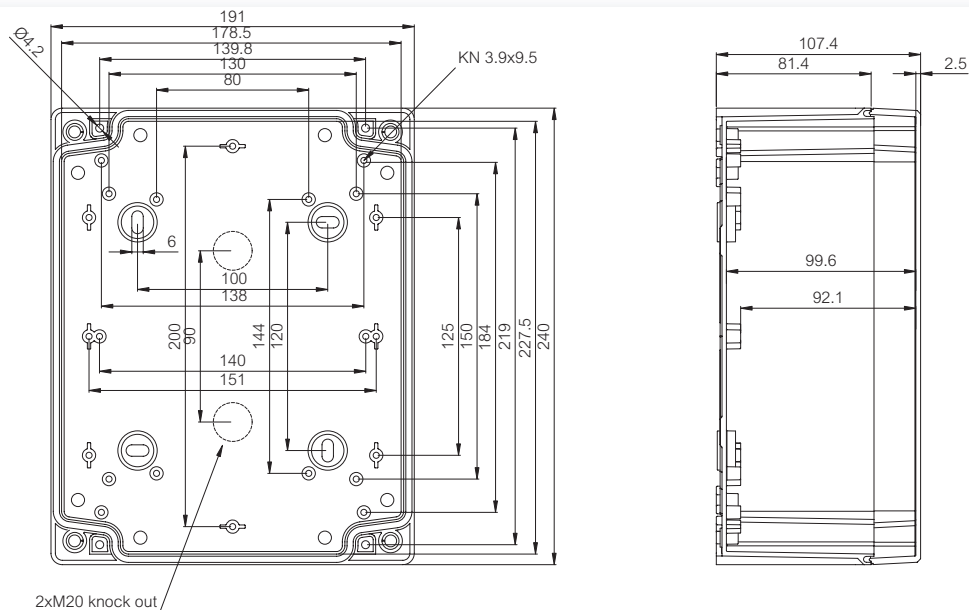
Including: Base with PUR gasket and screws for mounting plate/DIN-rail, cover with polyamide cover screws and plastic hinges.

## Enclosures

Order symbol	Code	Dimensions	Description
TA241911	5814002	240 x 191 x 107	Enclosure, ABS • Grey cover
TA241911T	5814007	240 x 191 x 107	Enclosure, ABS • Clear transparent cover

## Accessories

Order symbol	Code	Dimensions	Description
MP 2419	5518024	210 x 160	Mounting plate
EKV 12	3770647	35 x 160	DIN-35 Mounting rail
DR 210	5518027	35 x 210	DIN-35 Mounting rail
FP 10674	5510674		Wall fastening lug (2 pcs) • incl. screws
DPS 14553	6300006		Grey sealing plug set • (40 pcs)





# TEMPO ABS 2924

289 x 239

ABS: IP 65, IK 07

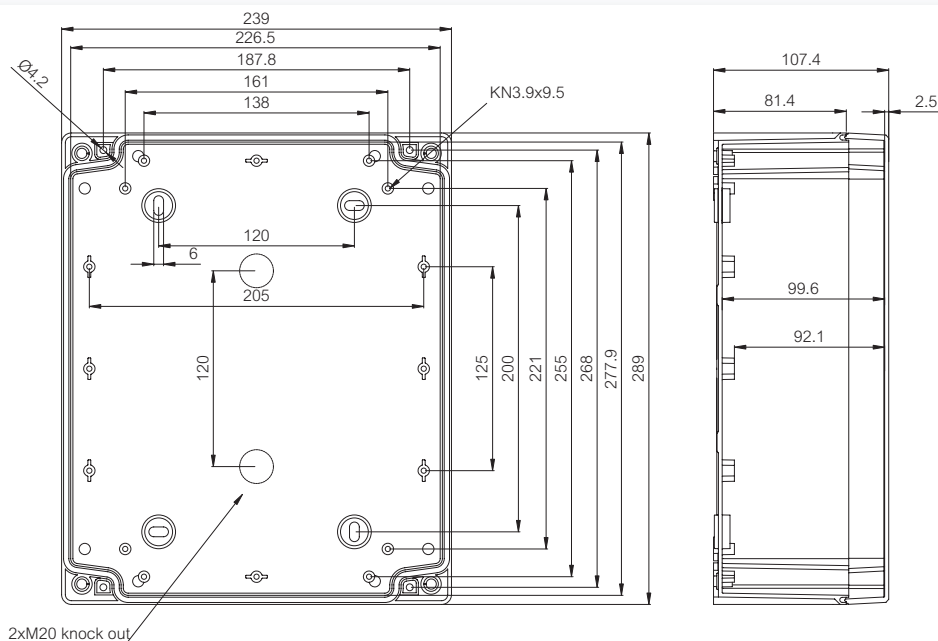
Including: Base with PUR gasket and screws for mounting plate/DIN-rail, cover with polyamide cover screws and plastic hinges.

## Enclosures

Order symbol	Code	Dimensions	Description
TA292411	5814003	289 x 239 x 107	Enclosure, ABS • Grey cover
TA292411T	5814008	289 x 239 x 107	Enclosure, ABS • Clear transparent cover

## Accessories

Order symbol	Code	Dimensions	Description
MP 2924	5518025	265 x 215	Mounting plate
DR 215	5518029	35 x 215	DIN-35 Mounting rail
DR 265	5518028	35 x 265	DIN-35 Mounting rail
FP 10674	5510674		Wall fastening lug (2 pcs) • incl. screws
DPS 14553	6300006		Grey sealing plug set • (40 pcs)



# TEMPO ABS 3429

344 x 289

ABS: IP 65, IK 07



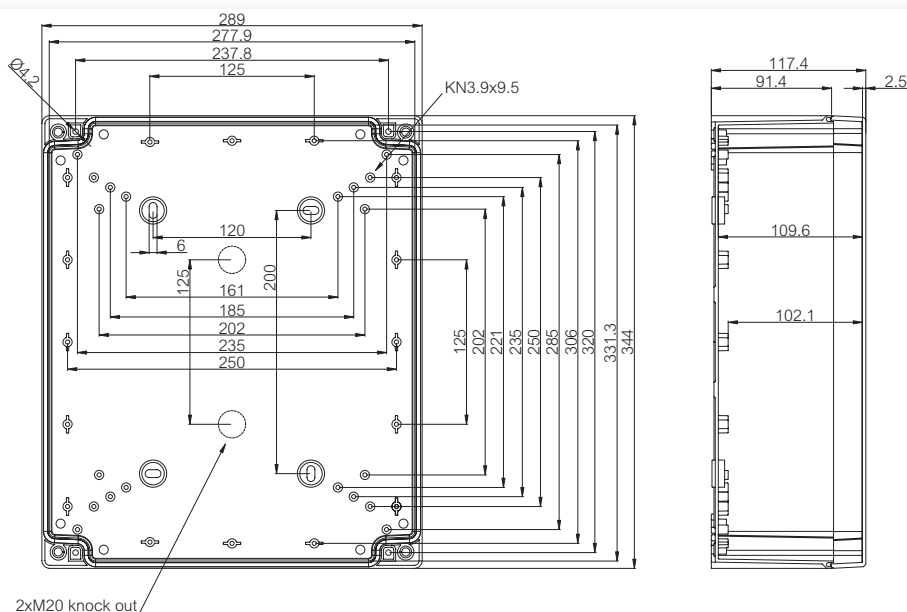
Including: Base with PUR gasket and screws for mounting plate/DIN-rail, cover with polyamide cover screws and plastic hinges.

## Enclosures

Order symbol	Code	Dimensions	Description
TA342912	5814004	344 x 289 x 117	Enclosure, ABS • Grey cover
TA342912T	5814009	344 x 289 x 117	Enclosure, ABS • Clear transparent cover

## Accessories

Order symbol	Code	Dimensions	Description
MP 3429	5518026	315 x 265	Mounting plate
ARH 2328	9822012	35 x 260	DIN-35 Mounting rail
DR 316	5518030	35 x 316	DIN-35 Mounting rail
FP 10674	5510674		Wall fastening lug (2 pcs) • incl. screws
DPS 14553	6300006		Grey sealing plug set • (40 pcs)



## ACCESSORIES

Order symbol      Code      Description

### Mounting plates (Galvanized steel, sheet thickness 1,5 mm)

MP 1912	5518022	140 x 100
MP 2016	5518023	155 x 140
MP 2419	5518024	210 x 160
MP 2924	5518025	265 x 215
MP 3429	5518026	315 x 265

### DIN-35 Mounting rails (Galvanized steel, rail height 7,5 mm)

MIV 10	5514082	35 x 100
DH-3	8524032	35 x 140
EKV 12	3770647	35 x 160
DR 210	5518027	35 x 210
DR 215	5518029	35 x 215
ARH 2328	9822012	35 x 260
DR 265	5518028	35 x 265
DR 316	5518030	35 x 316

### Hinges and wall mounting

TH T	5510021	Hinge set (2 pcs)
FP 10674	5510674	Wall fastening lug (2 pcs) ▪ incl. screws
FEP 26150	7366150	Wall fastening cover plug

### Cover screws

MBS HH	6300004	Cover screw set ▪ Size 1912 only
MBS 18020	5510020	Cover screw set (4 pcs)

### Polyamide wing head and sealing plug sets

MBS 14552	6300005	Grey wing head set ▪ (40 pcs)
DPS 14553	6300006	Grey sealing plug set ▪ (40 pcs)

### Spacers and mounting screws

TS H15 SET	5510031	Spacer set ▪ for mounting plate M4/15mm (4 pcs)
TS H30 SET	5510032	Spacer set ▪ for mounting plate M4/30mm (4 pcs)
KN 3.9x9.5-10 SET	5614042	Mounting screw set ▪ (10 pcs)



## TEMPO technical information

Property	ABS
Ingress Protection (EN 60529)	IP 65
Impact Resistance (EN 62262)	IK 07
Temperature Range Celsius	-40° . . 80°C
(short term) Fahrenheit	-40° . . 175°F
Temperature Range Celsius	-40° . . 60°C
(continuous) Fahrenheit	-40° . . 140°F
Electrical Insulation	Totally insulated ☑
Light Grey Parts Colour	RAL 7035 Industry Grey
Transparent Clear PC Cover	Clear transparent
Cover Screws	Grey
Cover Screws	Polyamide (PA)
Gasket	PUR
Enclosure Flammability Rating	UL 94HB
Glow Wire Test (IEC 695-2-1) Self -extinguishing (PC)	650°C
Non-toxicity	Halogen Free
Chemical Resistance *	Good

Data subject to change without notice.

\*Consult separate raw material data for more detailed information

## Conformity to standards

**Europe** Empty enclosures for low-voltage switchgear and controlgear assemblies EN 62208:2003 (50298:1998)  
RoHS directive 2002/95/EC





**FIBOX – Solutions for demanding environments**

